

KENWOOD

VZ907

5.8-Inch WIDE TELEVISION WITH CD PLAYER **INSTRUCTION MANUAL**

KENWOOD CORPORATION

BEFORE USING

- **PAL type video products require receiving area settings to be entered before TV broadcasts are received. Look on page 11 for instructions on setting up the receiving area. Your television will not be able to receive TV broadcasts properly unless these settings are entered correctly.**

NTSC type video products do not require receiving area settings.

- **Set the "PAL-NTSC" switch on your video CD decoder as follows. (See page 36.)**

PAL type products: Set to "PAL" side.

NTSC type products: Set to "NTSC" side.



© PRINTED IN JAPAN B64-1324-00 (M/H)(+)
'99/11 10 9 8 7 6 5 4 3 2 1 '98/12 11 10

Contents

Before Use	
Safety Precautions	3
Handling Compact Discs	5
Visual Function	
Monitor Open/Close	6
Power Off	6
Switching Monitor's Picture	7
Switching AV Output Picture	7
Turning Monitor's Picture Off	7
Displaying Screen Control Screen	7
Switching Picture Mode	8
Switching Menu Screen	8
Audio Control Function	
Adjusting Audio	9
System Set Up Function	
Setting System	10
Adjusting Time	12
Adjusting Touch Position	12
Basic Source Control Function	
Basic operations with the buttons	
Switching Source Modes	13
Increasing Volume	13
Decreasing Volume	13
Changing Back Picture	13
Basic operations with the source control screens	
Switching Source Control Screen (A) and (B)	13
Switching Menu Screen	13
TV Function	
TV operations with the buttons	
Selecting Bands Video Inputs	14
Tuning	14
TV operations with the control screens	
Selecting Bands	15
Tuning	15
Station Preset Memory	15
Auto Memory Entry	15
Selecting Video Inputs	15
TV List Screen	16
Selecting Channel on the TV Picture Screen	16
TUNER Control Function	
Tuner operations with the buttons	
Selecting Bands	17
Tuning	17
Tuner operations with the control screens	
Selecting Bands	18
Tuning	18
Station Preset Memory	18
Auto Memory Entry	18
Function Control Screen	19
Tuner List Screen	19
RDS Function	
RDS (Radio Data System)	20
EON (Enhanced Other Network)	20
Alarm	20
Switching the RDS Setting Screen	20
News Bulletin Function with PTY News Timeout Setting	20
AF (Alternative Frequency) Function	21
Restricting RDS Region (Region Restrict Function)	21
Auto TP Seek Function	21
Traffic Information Function	21
Presetting Volume for Traffic Information/News	22
Programme Type (PTY) Function	22
CD Control Function	
CD operations with the buttons	
Inserting CDs	24
Track Search	24
Fast Forwarding and Reversing Disc Play	24
Eject	24
Switching Multiple Audio Mode	24
CD operations with the control screens	
Pausing and Restarting CD Play	25
Track Search	25
Fast Forwarding and Reversing Disc Play	25
Track Repeat Function	26
Track Scan Function	26
Random Play Function	26
Switching Name Set Screen	26
Display Select Screen	27

Tape Player Control Function

Tape player operations with the buttons
 Direct Program Search System (DPSS)28

Tape player operations with the control screens
 Playing Cassette Tapes.....28
 Direct Program Search System (DPSS)29
 Fast Forwarding and Rewinding Cassette Tapes.....29
 Dolby B Noise Reduction29
 Switching Tape Types.....29
 Blank Skip29
 Music Repeat.....30
 Index Scan Function.....30

Name Preset Function
 Station Name Preset (SNPS) / Disc Name Preset (DNPS)30

DSP Control Function
 DSP Control Screen31
 Sound Field Control (SFC) Screen31
 Position Control Screen32
 Equalizer Control Screen.....32

Remote Control Function.....33

Installation
 Accessories.....35
 Installation Procedure35
 Connection.....36
 Installation38
 Installation for Antenna Unit39
 Removing Unit41

Troubleshooting Guide42

Specifications.....43

The control screens shown in this manual are for explanation purposes only. The actual screens and design differ.

Safety Precautions

WARNING

To prevent injury and/or fire, take the following precautions:

- Ensure that the unit is securely installed. Otherwise it may fly out of place during collisions and other jolts.
- When extending the ignition, battery or ground cables, make sure to use automotive-grade cables or other cables with an area of 0.75mm² (AWG18) or more to prevent cable deterioration and damage to the cable coating.
- To prevent short circuits, never put or leave any metallic objects (e.g., coins or metal tools) inside the unit.
- If the unit starts to emit smoke or strange smells, turn off the power immediately and consult your Kenwood dealer.
- Do not touch the liquid crystal fluid if the LCD is damaged or broken due to shock. The liquid crystal fluid may be dangerous to your health or even fatal.
 If the liquid crystal fluid from the LCD contacts your body or clothing, wash it off with soap immediately.

CAUTION

To prevent damage to the machine, take the following precautions:

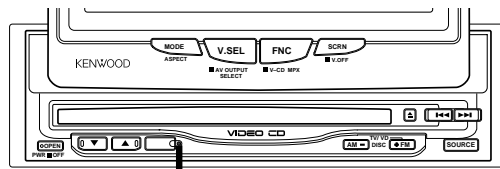
- Make sure to ground the unit to a negative 12V DC power supply.
- Do not open the top or bottom covers of the unit.
- Do not install the unit in a spot exposed to direct sunlight or excessive heat or humidity. Also avoid places with too much dust or the possibility of water splashing.
- Do not subject the faceplate to excessive shock, as it is a piece of precision equipment.
- When replacing a fuse, only use a new one with the prescribed rating. Using a fuse with the wrong rating may cause your unit to malfunction.
- To prevent short circuits when replacing a fuse, first disconnect the wiring harness.
- Do not use any screws except for the ones provided. The use of improper screws might result in damage to the main unit.

Safety Precautions

- You cannot view video pictures while the vehicle is moving. To enjoy video pictures, find a safe place to park and engage the parking brake.

NOTE

- If you experience problems during installation, consult your Kenwood dealer.
- If the unit does not seem to be working right, try pressing the reset button first. If that does not solve the problem, consult your Kenwood dealer.



Reset button

Cleaning the Unit

If the front panel gets dirty, turn off the power and wipe the panel with a dry silicon cloth or soft cloth.

CAUTION

Do not wipe the panel with a stiff cloth or a cloth dampened by volatile solvents such as paint thinner and alcohol. They can scratch the surface of the panel and/or remove the indicator letters.

The marking of products using lasers (Except for some areas)

**CLASS 1
LASER PRODUCT**

The label is attached to the chassis/case and says that the component uses laser beams that have been classified as Class 1. It means that the unit is utilizing laser beams that are of a weaker class. There is no danger of hazardous radiation outside the unit.

Cleaning the CD Slot

As dust can accumulate in the CD slot, clean it occasionally. Your CDs can get scratched if you put them in a dusty CD slot.

Lens Fogging

Right after you turn on the car heater in cold weather, dew or condensation may form on the lens in the CD player of the unit. Called lens fogging, CDs may be impossible to play. In such a situation, remove the disc and wait for the condensation to evaporate. If after the condensation has evaporated the unit still does not operate normally, consult your Kenwood dealer.

Screen Brightness during Low Temperatures

When the temperature of the unit falls such as during winter, the liquid crystal panel's screen will become darker than usual. Normal brightness will return after using the monitor for a while.

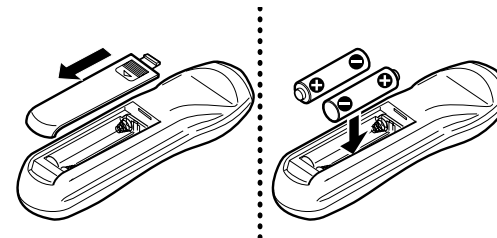
Loading and Replacing the Batteries for the Remote

CAUTION

Do not set the remote on hot places such as above the dashboard.

Loading and Replacing the Batteries

- Use two R03 ("AAA"-size) batteries. Slide the cover while pressing downwards to remove it as illustrated.
- Insert the batteries with the \oplus and \ominus poles aligned properly following the illustration inside the case.



WARNING

Store unused batteries out of the reach of children. Contact a doctor immediately if the battery is accidentally swallowed.

NOTE

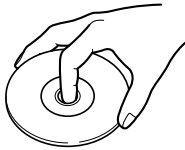
- The provided batteries are intended for use in operation checking, and their service life may be short.
- When the remote controllable distance becomes short, replace both of the batteries with new ones.

Handling Compact Discs

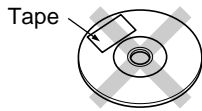
Playing a CD that is dirty, scratched or warped can cause the sound to skip and the unit to operate incorrectly, resulting in worsened sound quality. Take the following precautions to prevent your CDs from getting scratched or damaged.

Handling CDs

- Do not touch the recorded side of the CD (i.e., the side opposite the label) when holding it.



- Do not stick tape on either side of the CD.

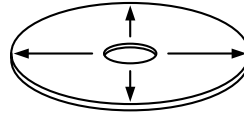


Storing CDs

- Do not store CDs in areas exposed to direct sunlight – such as a car seat or above the fascia panel (dashboard) – or other hot places.
- If you will not be using the unit for a long period of time remove the CDs from the unit and put them back in their cases. Do not stack CDs that have been removed from their cases or prop them against something.

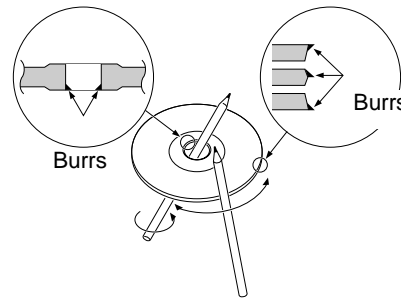
Cleaning CDs

If a CD has become dirty, wipe it off gently using a commercially available cleaning cloth or a soft cotton cloth, starting from the centre of the disc and moving outward. Do not clean CDs with conventional record cleaners, anti-static formulas, or chemicals such as paint thinner or benzene.



Checking New CDs for Burrs

When playing a new CD for the first time, check that there are not any burrs stuck to the perimeter of the disc or in the central hole. CDs with burrs stuck on them may not load properly or may skip whilst playing. Remove burrs using a ballpoint pen or a similar utensil.

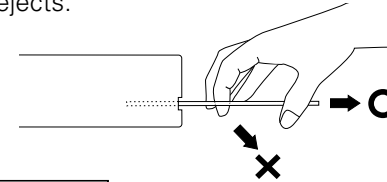


Do Not Load CD Accessories in Slot

Do not use commercially available CD accessories that can be loaded into the CD slot, such as stabilisers, protective sheets, or CD cleaning discs, since they can cause the unit to malfunction.

Removing the CD

Only remove the CD from the machine in a horizontal direction. You may damage the surface of the CD if you try pulling it down as it ejects.



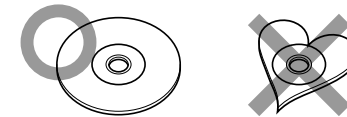
CAUTION

Do Not Load 8-cm (3-in.) CDs in the CD slot



If you try to load an 8-cm CD with its adapter into the unit, the adapter might separate from the CD and damage the unit.

Do Not Use Special Shape CDs

Be sure to use round shape CDs only for this unit and do not use any special shape CDs. Use of special shape CDs may cause the unit to malfunction.



Do Not Use Non-Standard CD's

- Using non-standard Video CD's may cause electronic noise to appear on the screen, or otherwise prevent your equipment from functioning properly.
- Be sure to use CDs with disc marks   only for this unit.

About Video CD Formats

Your CD player can play version 2.0 discs. However, the PBC (Play Back Control) function will not operate.

Visual Function

Monitor Open/Close



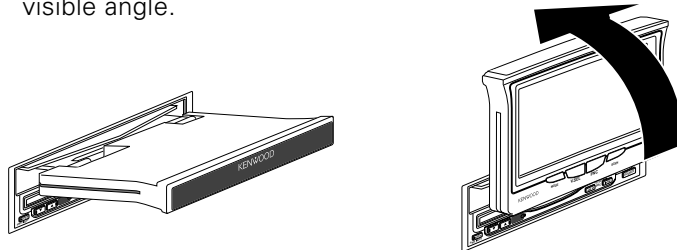
Opening the Monitor:

- 1 Set the vehicle's parking brake.
- 2 Press the OPEN button. The monitor opens.

CAUTION

The gear shift lever or other parts may interfere with the monitor when it opens. If so, move the gear shift lever (being sure to do so safely) before operating the set. (The monitor is drawn back in automatically if it cannot be opened normally due to an obstacle.)

- 3 Once the monitor is fully out, lift it by hand and set it to an easily visible angle.

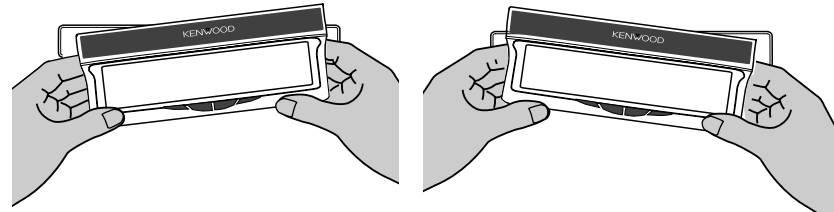


NOTE

- The monitor cannot be opened unless the parking brake is set.
- The monitor is drawn back in automatically if it is not lifted in the 15 seconds after it is opened.

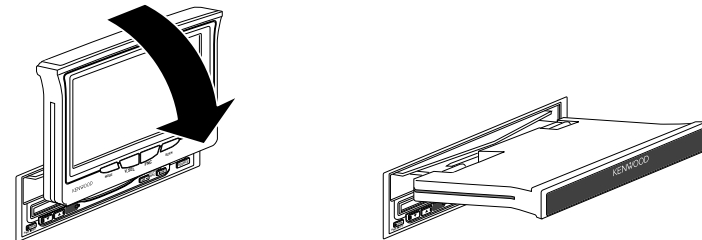
Adjusting the Left/Right Angle:

Grasp both the sides of the monitor and set it to an easily visible angle.



Closing the Monitor:

Set the left/right angle to the center then lower the monitor so that it is completely flat. The monitor is then drawn in automatically after 2 seconds.

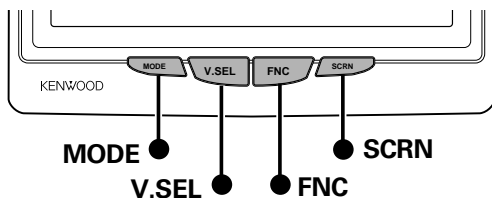


NOTE

- The monitor will not be drawn in automatically if it is lowered before setting the left/right angle to the center. In this case, press the OPEN button. The monitor is drawn in.
- The monitor can be closed even if the power is off.
- The position to which the monitor slides when the power is turned on can be set. (Refer to the screen control menu on page 7.)
- If the power is turned off then back on while the monitor is open, the slide mechanism operates for several seconds in order to detect the initial position.

Power Off

Press the OPEN button for over 1 second to turn the set's power off. Press the OPEN button to turn the power on.



Switching Monitor's Picture

The monitor's picture switches as shown below each time the V.SEL button is pressed.

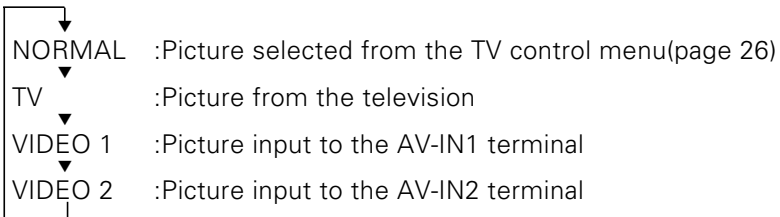


CAUTION

You cannot view video pictures while the vehicle is moving. To enjoy video pictures, find a safe place to park and engage the parking brake.

Switching AV Output Picture

The AV output picture switches as shown below each time the V.SEL button is pressed for over 1 second. (The current setting is displayed when the picture is switched.)



NOTE

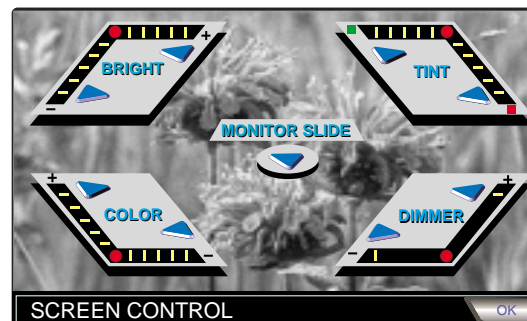
When the A907 is connected, the sound of the AV output also switches.

Turning Monitor's Picture Off

Press the SCRN button for over 2 seconds to turn the monitor's picture off.

NOTE

The picture reappears when a button on the monitor panel is pressed, when the monitor is lowered then lifted again, and when the engine key is removed then reinserted.



Displaying Screen Control Screen

Pressing the SCRN button will cause the screen control screen (screen adjustment mode) to be displayed on the video screen.

Adjusting Picture Quality:

- [BRIGHT]** [▲](+): The screen gets brighter.
[▼](-): The screen gets darker.
- [COLOR]** [▲](+): The screen color gets paler.
[▼](-): The screen color gets deeper.
- [TINT]** [▲](red): Red is intensified. [▼](green): Green is intensified.
- [DIMMER]** This can be adjusted to any one of three levels.
[▲](+): The screen gets brighter. [▼](-): The screen gets darker.

Adjusting Slide Position:

- [MONITOR SLIDE]** This can be adjusted to two positions.
[▼]: The monitor to front. [▲]: The monitor to back.

Canceling Screen Control Screen:

Touch the [OK].

NOTE

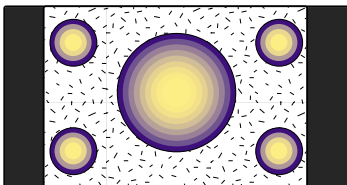
- With PAL type products, the TINT adjustment does not operate.
- The colour and tint cannot be adjusted for the navigation screen or the graphic screens (source control, etc.).
- The dimmer cannot be adjusted when the vehicle's lights are off or when the illumination cable is not connected.
- Separate picture quality settings can be stored for the television, video 1, video 2 and navigation screens and for day and night.

Visual Function

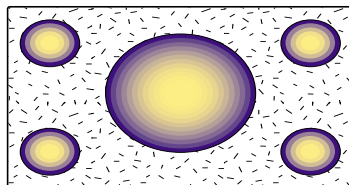
Switching Picture Mode (for TV and video picture)

The picture mode switches between normal, full, just and zoom each time the MODE button is pressed.

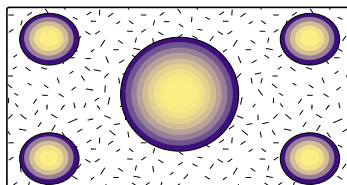
• Normal mode



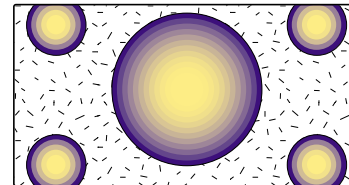
• Full mode



• Just mode

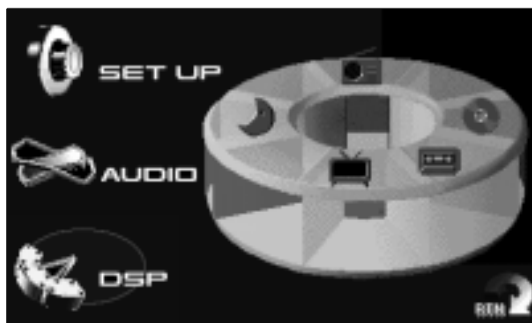


• Zoom mode



Switching Menu Screen

When using for the first time, the menu screen appears when the FNC button is pressed.



Switching Set Up Screen:

Touch the [SET UP] to switch the set up screen.
< see p.10 >

Switching Audio Control Screen: (with A907)

Touch the [AUDIO] to switch the audio control screen. <see p.9 >

Switching DSP Control Screen: (with X707)

Touch the [DSP] to switch the DSP control screen. < see p.31 >

Switching Source Control Screen:

Touch the character to switch the source control screen as follows:



Touch this character to switch the FM/AM tuner mode control screen. < see p.17 > (with A907)



Touch this character to switch the CD mode control screen.
< see p.25 >

NOTE

Touch this character when you play a video CD. The screen will switch to the video CD image.



Touch this character to switch the tape mode control screen.
< see p.28 > (with X707)



Touch this character to switch the TV mode control screen.
< see p.14 >



Touch this character to switch the standby mode screen.

The mark for the currently selected source is displayed in light blue.

NOTE

When a disc is ejected, a net appears over the source mark and the mark cannot be operated.

Canceling the Menu Screen:

When [RTN] is touched, the picture switches to the current control screen for the current source.

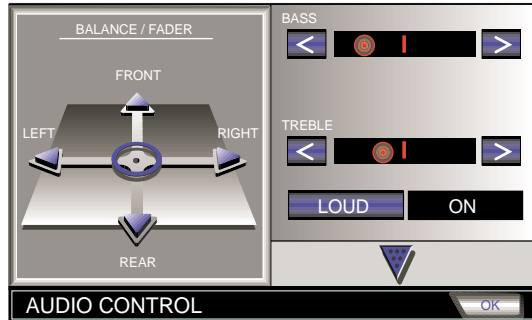
Audio Control Function (with A907)

Adjusting Audio

Adjust various parameters of sound quality.

Switching Audio Control Screen:

Touch the [AUDIO] on the menu screen to switch the audio control screen.



Switching Setting Lists:

Touch the [▼] or [▲], to switch the audio control lists.

Adjusting Balance and Fader Levels:

- Each time you touch the [◀](LEFT), Left channel emphasized.
- Each time you touch the [▶](RIGHT), Right channel emphasized.
- Each time you touch the [▲](FRONT), Front channel increased.
- Each time you touch the [▼](REAR), Rear channel increased.

Adjusting Bass Level:

- Each time you touch the [<], Bass decreased.
- Each time you touch the [>], Bass increased.

Adjusting Treble Level:

- Each time you touch the [<], Treble decreased.
- Each time you touch the [>], Treble increased.

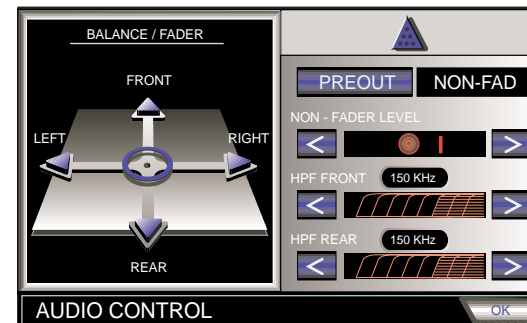
Turning Loudness On/Off:

This function amplifies low and high tones when the volume is turned down. The LOUD indicator is displayed on the source control screen, when the loudness function is on.

Touch the [LOUD] to switch the loudness on " ON " and off " OFF ".



LOUD indicator



Setting Preout:

Touch the [PREOUT] to switch the non-fading preout " NON-FAD " and Rear preout " REAR ".

Adjusting Non-Fading Preout Level:

- Each time you touch the [<], The front and rear sound decreased.
- Each time you touch the [>], The non-fading sound increased.

Setting High-Pass Filter for Front and Rear Output:

Each time you touch the [<] or [>], You can select the frequency to be cut, as follows:

THRU (through) ⇄ 40Hz ⇄ 60Hz ⇄ 80Hz ⇄ 220Hz ⇄ 180Hz ⇄ 150Hz ⇄ 120Hz ⇄ 100Hz

Ending Audio Control Screen:

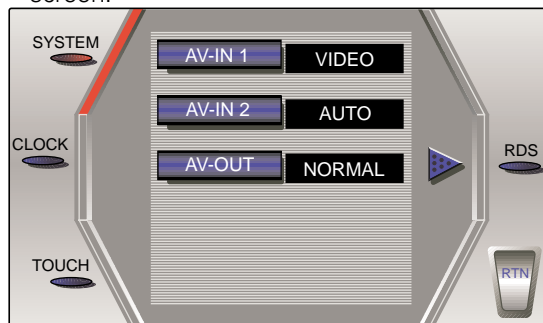
Touch the [OK] to return the menu screen.

System Set Up Function

Setting System

Switching System Setting Screen:

Touch the [SET UP] on the menu screen to switch the system setting screen.



Switching Setting Lists:

Touch the [◀] or [▶] to switch the setting lists.

AV Input 1 Setting:

When [AV-IN1] is touched, the AV IN 1 terminal's input setting switches between "NAV" and "VIDEO".

NOTE

If a navigation unit is connected to AV IN1, be sure to set it to "NAV".

AV Input 2 Setting:

When [AV-IN2] is touched, the AV IN 2 terminal's input setting switches between "AUTO" and "MANUAL".

When set to "AUTO", the monitor's picture automatically switches to video 2 when video signals are input to the AV IN 2 terminal, and returns to the previous picture when no more video signals are input.

NOTE

- The auto function will not work if the V.SEL or other buttons are operated and another picture is selected while this function is on. (The previous picture will not reappear when no more video signals are input.)
- If you set the function to "AUTO" and input a video CD image, the monitor image will automatically switch to show the video CD.

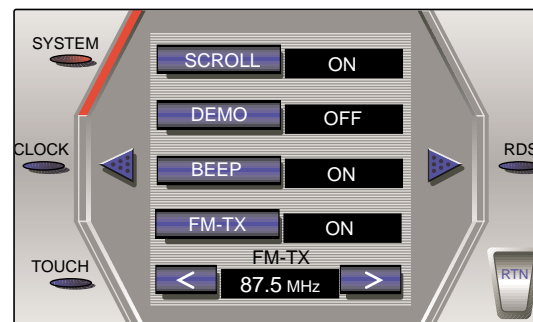
Setting AV Output Visual:

Touch the [AV-OUT], the video of the AV output terminal will be switched as follows.

- ↓
NORMAL : Picture selected from the TV control screen (page 15)
- ↓
TV : Picture of the television
- ↓
VIDEO 1 : Picture input to the AV-IN1 terminal
- ↓
VIDEO 2 : Picture input to the AV-IN2 terminal

NOTE

When the A907 is connected, the sound of the AV output also switches.



Setting Auto Scroll Display Function:

This function permits the text to be scrolled and the entire text to be displayed. Switching between manual scrolling and automatic scrolling is permitted. The factory default is automatic scrolling.

Touch the [SCROLL] to switch the text scroll setting auto " ON " and manual " OFF ".

" ON " : Automatic scrolling

" OFF " : Manual scrolling

Setting Demonstration Function:

Touch the [DEMO] to switch the demonstration mode on " ON " and off " OFF ". When set to " ON ", the graphic screen's background mode switches repeatedly.

Setting Touch Sensor Tone :

Touch the [BEEP] to switch the beep sound setting on " ON " and off " OFF ".

FM Transmitter ON/OFF switch:

If the A907 is not connected, you can use the FM transmitter function to hear the audio from the TV, video or CD played from your car radio.

Touch [FM-TX] to toggle the FM transmitter function on and off.

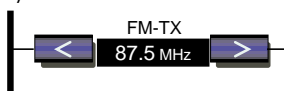
NOTE

When the A907 is connected this function is not displayed.

FM Transmitter Frequency Switching:

When the FM transmitter function is turned on, you can switch the transmission frequency as follows

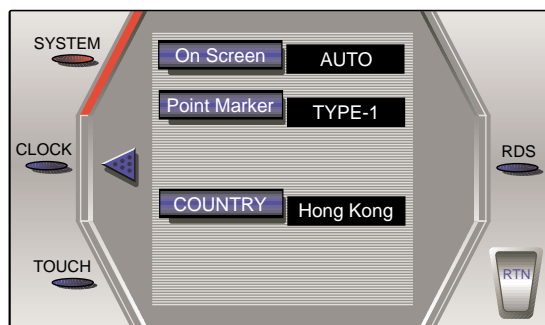
Touch the [<] to decrease the frequency by one step.



Touch the [>] to increase the frequency by one step.

NOTE

- Be sure to select a frequency that is not the same as a broadcast station in your area.
- The "Auto Seek" function on your car radio may not stop at the FM transmitter frequency. In this case, use the "Manual Seek" function to set the radio to the FM transmitter frequency.
- If the hideaway unit is grounded the audio signal from the FM transmitter may be difficult to hear.



Setting On Screen Display Function:(see p.16)

Touch the [On Screen] to switch the on screen function auto " AUTO " and manual " MANUAL " .

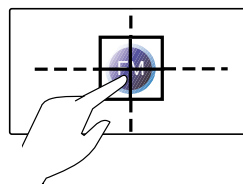
" AUTO " :When a button on the main unit or remote control unit is operated or if the lower center of the screen is touched while a TV/video picture is displayed, the audio source, picture settings, video out settings, etc., are temporarily superimposed on the picture.

" MANUAL " :If the lower center of the screen is touched while a TV/video picture is displayed, the audio source, picture settings, video out settings, etc., are superimposed on the picture. The display turns off when the lower center of the screen is pressed again.

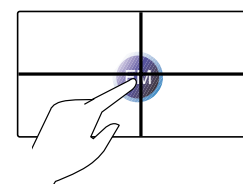
Setting the Pointer Display Function:

When the graphic screen is touched, the pointer display setting switches between "TYPE-1", "TYPE-2" and "OFF" (no pointer is displayed) each time [Point Marker] is touched.

Pointer TYPE-1



Pointer TYPE-2



Setting Country: (Displayed for PAL products only)

Touch [COUNTRY] to select the channel setting for your country as follows.

- "China" : China area (excluding the Hong Kong area)
- "Hong Kong" : Hong Kong area
- "Indonesia" : Indonesia area
- "Other" : Singapore, Malaysia, Thailand, Philippines, Brunei area

NOTE

About the PAL-NTSC switch on your video CD decoder unit

- PAL type models should be set to "PAL"
- NTSC type models should be set to "NTSC"

Ending System Setting Screen:

Touch the [RTN] to return the menu screen.

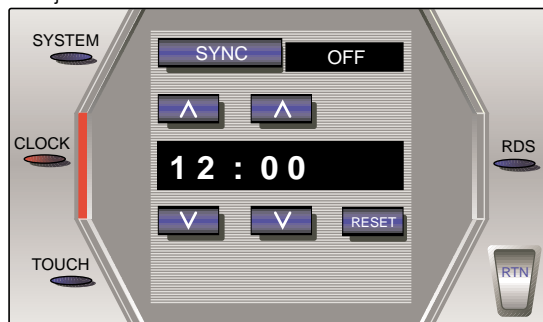
System Set Up Function

Adjusting Time

You can adjust the time manually. Also, with the automatic time adjustment function set at ON, you can set the clock time automatically according to time data sent from RDS stations (after receiving RDS signals for several minutes). The factory default is manual time adjustment.

Switching Time Adjustment Screen:

Touch the [CLOCK] on the system setting screen to switch the time adjustment screen.



Turning Automatic Time Adjustment On/Off:

Touch the [SYNC] to switch the automatic time adjustment on " ON " and off " OFF ".

Adjusting Time Automatically:

Tune to a RDS station and receive the signal for several minutes. The clock will adjust automatically to the local time.

NOTE

The clock will not adjust automatically if the RDS station tuned to be not transmitting time data. In such a case, try another RDS station.

Adjusting Time Manually:

Touch the [M] to advance the hours.



Touch the [M] to advance the minutes.

Touch the [?] to make the hours go back.



Touch the [?] to make the minutes go back.

Setting the Minutes to "00":

Touch the [RESET] to set the minutes to "00".

NOTE

Touch the [RESET] while the minute is below "30" rounds it off, and while the minute is "30" or more rounds it up.

Ending Time Adjustment Screen:

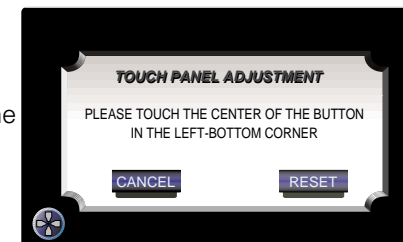
Touch the [RTN] to return the menu screen.

Adjusting Touch Position

The touch panel can be adjusted if the position touched and the operation performed do not match.

Switching Touch Panel Adjustment Screen:

Touch the [TOUCH] on the system setting screen to switch the touch panel adjustment screen.



Adjusting Touch Position:

Accurately touch the mark at the lower left and the mark at the upper right, following the instructions in the messages.

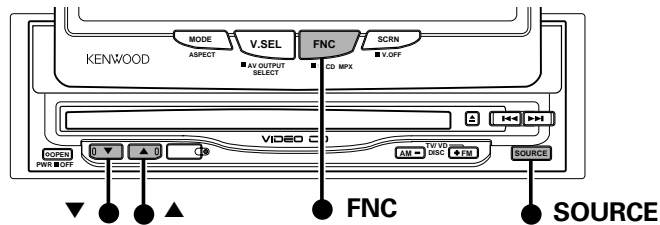
When the mark at the upper right is touched, the adjustment is completed and the system setup screen reappears.

NOTE

- If [CANCEL] is touched without touching the button at the lower left, the adjustment is canceled and the screen that was set before switching to the adjustment screen reappears.
- If [CANCEL] is touched after touching the button at the lower left, the button at the lower left reappears.
- If [RESET] is touched, the settings are reset to the factory defaults and the system setting screen reappears.

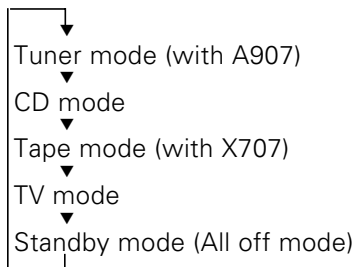
Basic Source Control Function

Basic operations with the buttons



Switching Source Modes

Each time you press the SOURCE button, the mode switches as follows:



NOTE

The mode switches to the next mode from any mode which cannot be used.

Increasing Volume

Press the ▲ button to increase the volume.

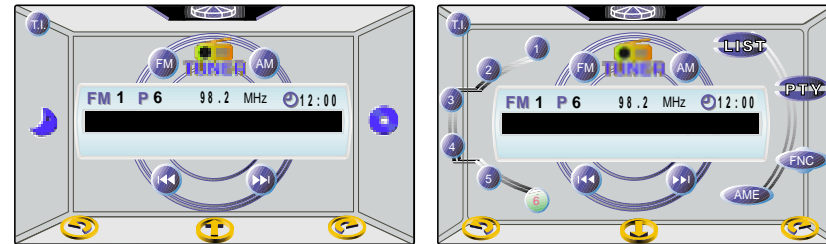
Decreasing Volume

Press the ▼ button to decrease the volume.

Changing Back Picture

Each time you press the FNC button, the back picture mode changing seven patterns in the source control screen and menu screen.

Basic operations with the source control screens



□ Source Control Screen (A)

□ Source Control Screen (B)

Switching Source Control Screen (A) and (B)

Touch the character to switch the source control screen as follows:

: Touch this character to switch the source control screen(B).

: Touch this character to switch the source control screen(A).

NOTE

Source control screen (B) has more operable functions than source control screen (A). The following explanations are for source control screen (B).

: Touch this character to switch the next source mode control.

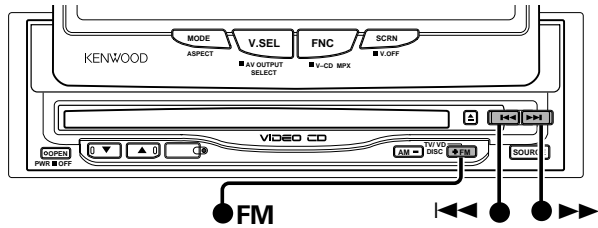
: Touch this character to switch the previous source mode control.

Switching Menu Screen

: Touch this character to switch the menu screen.

TV Function

TV operations with the buttons



Selecting Bands and Video Inputs

Press the FM select the TV band.
Each time you press the FM button, the TV bands switches between the TV1,TV2,Video1 and Video2.

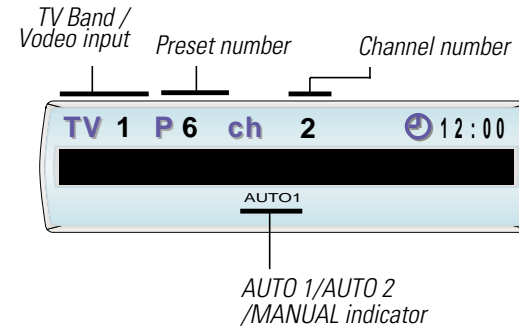
Tuning

- Auto Seek Tuning
Press the ►► button to seek increasing channels.
Press the ◄◄ button to seek decreasing channels.
- Preset Station Seek Tuning
Press the ►► button to move to the next preset station (the one with the next highest number), and the ◄◄ button to move to the last preset station (the one with the next lowest number).
- Manual Tuning
Press the ►► button to increase the channel by one step.
Press the ◄◄ button to decrease the channel by one step.

TV operations with the control screens



□ Source Control Screen(B)



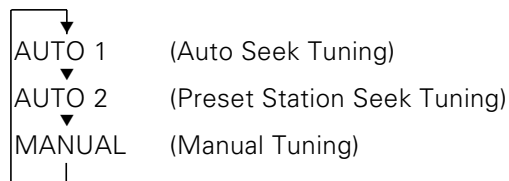
Selecting Bands

Touch the [TV] to select the band.
Each time you touch the [TV], the band switches between the TV 1 and TV 2.

Selecting Tuning Mode:

You can choose from three tuning modes: auto seek, preset station seek, and manual. The "AUTO1" indicator is displayed when auto seek tuning is selected, and the "AUTO2" indicator is displayed when preset station seek tuning is selected.

Each time you touch the [SEEK], the mode switches as follows.



Tuning

- Auto Seek Tuning (AUTO1)
Touch the [►►] to seek increasing channels.
Touch the [◄◄] to seek decreasing channels.
- Preset Station Seek Tuning (AUTO2)
Touch the [►►] to move to the next preset station (i.e., the one with the next highest number), and the [◄◄] to move to the last preset station (i.e., the one with the next lowest number).
- Manual Tuning (MANUAL)
Touch the [►►] to increase the channel by one step.
Touch the [◄◄] to decrease the channel by one step.

Station Preset Memory

Store the frequency of the station currently being listened to. You can then recall that station with a single touch of a button.

- 1 Select the band station that you want to have stored.
- 2 Hold down preset station number [① - ⑥] that you want to use for the station for two seconds or more.

Recalling a Preset Station:

Touch the preset station number [① - ⑥] for the desired station. The number of the recalled station is displayed.

NOTE

You can store 6 stations in each of the TV1 and TV2 bands.

Auto Memory Entry

You can automatically store all the receivable channels in the band currently being listened to, and then recall them with the touch of a button later. This function is especially useful when you are travelling and do not know what stations are available. Up to 6 stations can be stored this way.

- 1 Select the band for auto memory entry.
- 2 Touch the [AME].
The color of the [AME], [►►] and [◄◄] will change from blue to pink.
- 3 Touch the [►►] or [◄◄] to start auto memory entry.
The preset station number [① - ⑥] are shown in order.
When all the stations in a certain band are stored in the preset memory, the auto memory entry stops. The tuner then plays the last station received.

Recalling a Preset Station:

Touch the preset station number [① - ⑥] for the desired station. The number of the recalled station is displayed.

Selecting Video Inputs

Each time you touch the [VD], the video input switches between the video 1 and video 2.

NOTE

When you are watching a video CD image, switch to "Video2" (VD2).

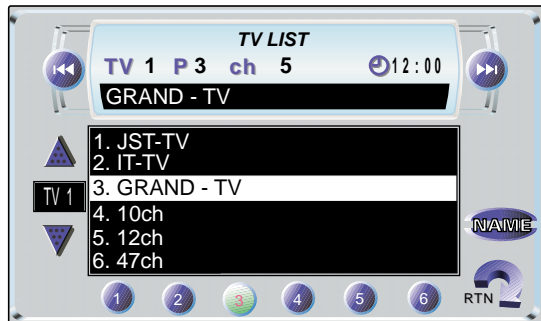
TV Function

English

TV List Screen

Switching TV List Screen:

Touch the [LIST] on the source control screen(B) to switch the TV list screen.



Selecting Band List:

Each time you touch the [▼] or [▲], the list switches between the TV1 and TV2.

Selecting List:

Touch the preset station number [① - ⑥] for the desired station. The number of the recalled station is displayed.

Switching Name Set Screen:

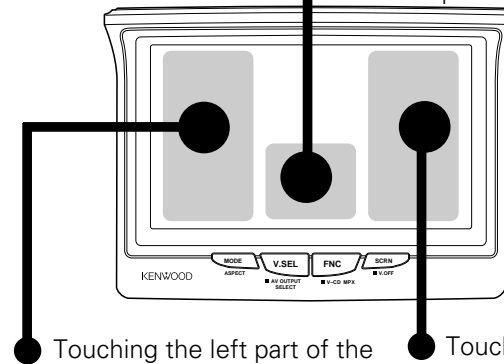
- 1 Touch the number [① - ⑥] for the preset channel.
- 2 Touch the [NAME] for at least two seconds to switch the name set screen. < see p.30 >

Returning Source Control Screen:

Touch the [RTN] to return the source control screen (B).

Selecting Channel on the TV Picture Screen

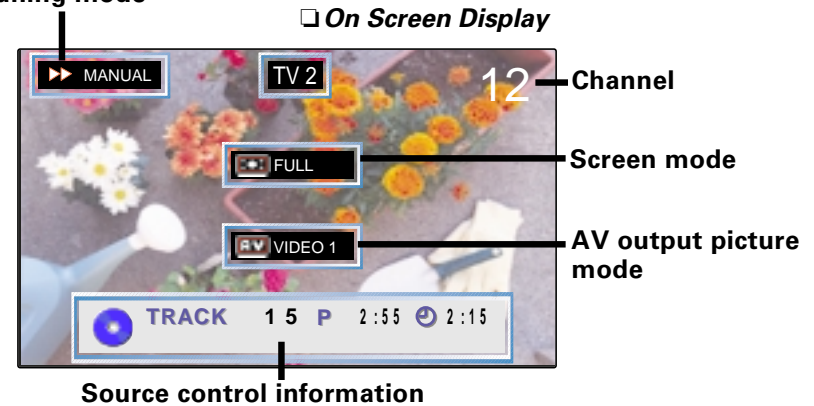
If the lower center of the screen is touched while a TV/video picture is displayed, the audio source, picture settings, video out settings, etc., are superimposed on the picture (On Screen Display). The display turns off when the lower center of the screen is pressed again.



Touching the left part of the screen selects the channel in the manner corresponding to the current Tuning mode.

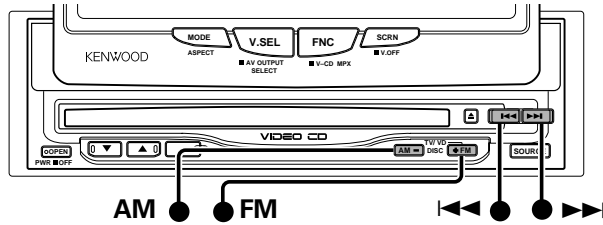
Touching the right part of the screen selects the channel in the manner corresponding to the current Tuning mode.

Tuning mode



TUNER Control Function

Tuner operations with the buttons



Selecting Bands

Press either the FM or AM button to select the band.
 Each time you press the FM button, the band switches between the FM1, FM2 and FM3.
 Press the AM button to select the AM band.

Tuning

- Auto Seek Tuning
 Press the ►►► button to seek increasing frequencies.
 Press the ◀◀◀ button to seek decreasing frequencies.
- Press station seek tuning
 Touch the ►► button to move to the next preset station (the one with the next highest number), and the ◀◀ button to move to the last preset station (the one with the next lowest number).
- Manual Tuning
 Press the ►►► button to increase the frequency by one step.
 Press the ◀◀◀ button to decrease the frequency by one step.

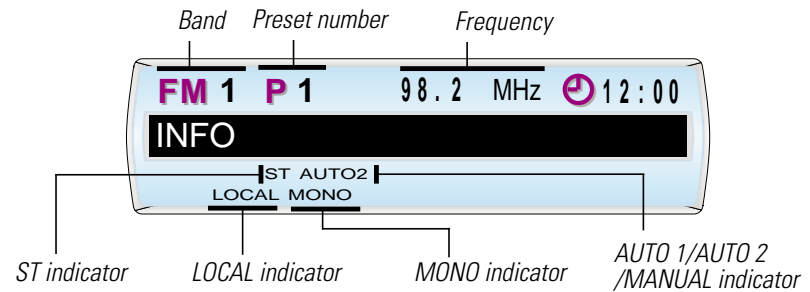
Tuner operations with the control screens



□ Source Control Screen(B)



□ Function Control Screen



English

TUNER Control Function

Selecting Bands

Touch either the FM or AM button to select the band.
Each time you touch the FM button, the band switches between the FM1, FM2 and FM3.
Touch the AM button to select the AM band.

Tuning

- Auto Seek Tuning (AUTO1)
Touch the [►►] to seek increasing frequencies.
Touch the [◄◄] to seek decreasing frequencies.
- Preset station Seek Tuning (AUTO2)
Touch the [►►] to move to the next preset station (i.e., the one with the next highest number), and the [◄◄] to move to the last preset station (i.e., the one with the next lowest number).
- Manual Tuning (MANUAL)
Touch the [►►] to increase the frequency by one step.
Touch the [◄◄] to decrease the frequency by one step.

NOTE

The ST indicator displayed when stereo broadcasts are being received.

Station Preset Memory

Store the frequency of the station currently being listened to. You can then recall that station with a single touch of a button.

- 1 Select the band/ station that you want to have stored.
- 2 Hold down preset station number [① - ⑥] that you want to use for the station, for two seconds or more.

Recalling a Preset Station:

Touch the preset station number [① - ⑥] for the desired station. The number of the recalled station is displayed.

NOTE

You can store 6 stations in each of the FM1, FM2, FM3, and AM bands.

Auto Memory Entry

You can automatically store all the receivable frequencies in the band currently being listened to, and then recall them with the touch of a button later. This function is especially useful when you are travelling and do not know what stations are available. Up to 6 frequencies can be stored this way.

- 1 Select the band for auto memory entry.
- 2 Touch the [AME].
The color of the [AME], [►►] and [◄◄] will change from blue to pink
- 3 Touch the [►►] or [◄◄] to start auto memory entry.
The preset station number [① - ⑥] are shown in order.
When all the stations in a certain band are stored in the preset memory, the auto memory entry stops. The tuner then plays the last station received.

Recalling a Preset Station:

Touch the preset station number [① - ⑥] for the desired station. The number of the recalled station is displayed.

NOTE

- When the local seek function is turned whilst auto memory entry takes place, stations with poor reception are not stored.
- When the Traffic Information function is on, only the local traffic information station frequency will be stored.

Function Control Screen

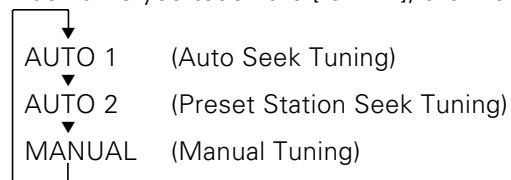
Switching Function Control Screen:

Touch the [FNC] on the source control screen (B) to switch the function control screen.

Selecting Tuning Mode:

You can choose from three tuning modes: auto seek, preset station seek, and manual. The "AUTO1" indicator is displayed when auto seek tuning is selected, and the "AUTO2" indicator is displayed when preset station seek tuning is selected.

Each time you touch the [SEEK], the mode switches as follows.



Turning Local Seek Function On/Off:

With the local seek function turned on, auto seek tuning skips stations with relatively poor reception.

Touch the [LO.S] to switch the local seek function on and off. The LOCAL indicator is displayed when the local seek function is on.

Turning Monaural Reception On/Off:

When poor stereo reception is experienced, this function will reduce noise and improve listening conditions.

Touch the [MONO] to switch the monaural reception on and off. The MONO indicator is displayed when monaural reception is on.

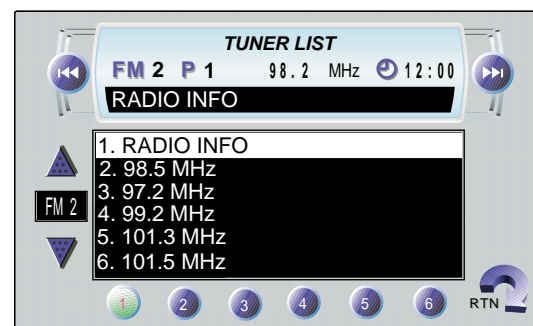
Returning Source Control Screen:

Touch the [RTN] to return the source control screen (B).

Tuner List Screen

Switching Tuner List Screen:

Touch the [LIST] on the source control screen (B) to switch the tuner list screen.



Selecting Band List:

Each time you touch the [▼] or [▲], the list switches between the FM1, FM2, FM3 and AM.

Selecting List:

Touch the preset station number [① - ⑥] for the desired station. The number of the recalled station is displayed.

Returning Source Control Screen:

Touch the [RTN] to return the source control screen (B).

RDS Function

RDS (Radio Data System)

RDS is a digital information system that lets you receive signals besides those of regular radio programmes, such as network information being transmitted from radio stations.

When listening to an RDS station (ie, a station with RDS capability), the programme service name of the station is displayed along with the frequency, advising you quickly which station is being received.

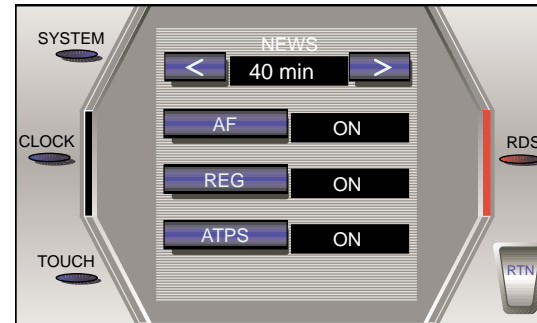
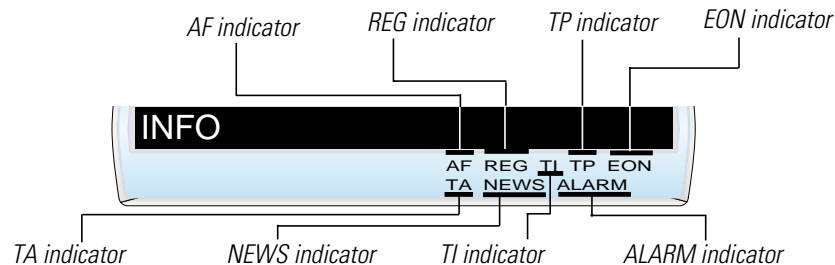
RDS (Radio Data System) stations also transmit frequency data for the same station. When you are making long trips, this function automatically switches to the particular frequency with the best reception for the particular network of stations that you want to listen to. The data is automatically stored, allowing you to switch quickly to another RDS stations, broadcasting the same programme, that has better reception. These include stations stored in the station preset memory that you often listen to.

EON (Enhanced Other Network)

Stations that offer EON also transmit information about other RDS stations that have traffic information. When you are tuned to a station that is not transmitting traffic information, but another RDS station starts transmitting a traffic bulletin, the tuner automatically switches to the other station for the duration of the bulletin.

Alarm

When an emergency transmission (announcing disasters, etc.) is sent, all current functions are interrupted to allow the warning to be received.



Switching the RDS Setting Screen

- 1 Touch the [SET UP] on the menu screen to switch the system setting screen.
- 2 Touch the [RDS] to switch the RDS setting screen.

News Bulletin Function with PTY News Timeout Setting

You can arrange to have news bulletins interrupt your current listening source, including other radio stations. When the News Bulletin function is on, the PTY News Timeout setting allows you to set the interval during which further news interruption cannot take place. You can adjust the PTY news interruption period from 10 to 90 minutes for each journey.

Changing the Timeout Setting:

Touch the [<] or [>] repeatedly until the desired setting is displayed.

Touch the [>] to increase the interval, and the [<] to decrease it.

OFF ↔ 00min ↔ 10min ↔ 20min ↔ 30min ↔ 40min ↔ 50min
 ↔ 60min ↔ 70min ↔ 80min ↔ 90min (min= minutes)

When you select the news interruption timeout interval, the News function turns on and the NEWS indicator is displayed. When a news bulletin is received, the colour of the NEWS indicator will change from black to pink and reception will begin at the preset volume.

NOTE

- If you choose the " 20min " setting, further news bulletins will not be received for 20 minutes once the first news bulletin is received. Setting the interval at the "00min" factory default indicates no News Timeout will be made, meaning that additional news bulletins will continue to be searched for.

- This function is only available if the desired station sends PTY-code for news bulletin or belongs to EON-Network sending PTY-code for news bulletin.

AF (Alternative Frequency) Function

When poor reception is experienced, automatically switch to another frequency broadcasting the same programme in the same RDS network with better reception.

The AF indicator is displayed when the AF function is turned on.

Turning AF Function On/Off:

Touch the [AF] to switch the AF function on " ON " and off " OFF ".

NOTE

When no other stations with stronger reception are available for the same programme in the RDS network, you may hear the incoming broadcast in bits and snatches. Turn off the AF function in such a case.

Restricting RDS Region (Region Restrict Function)

You can choose whether or not to restrict the RDS channels, received with the AF function for a particular network, to a specific region. When the Region Restrict Function is on, the region is restricted and the REG indicator is displayed.

Turning Region Restrict Function On/Off:

Touch the [REG] to switch the Region Restrict Function on " ON " and off " OFF ".

NOTE

Sometimes stations in the same network broadcast different programmes or use different programme service names.

Auto TP Seek Function

When the TI function is on and poor reception conditions are experienced when listening to a traffic information station, another traffic information station with better reception will be searched for automatically. This function is on, when unit is first powered on.

Turning Auto TP Seek Function On/Off:

Touch the [ATPS] to switch the Auto TP Seek Function on " ON " and off " OFF ".

Traffic Information Function

You can listen to traffic information. If you are listening to discs, they will continue playing until a traffic bulletin is broadcast.

Turning TI function On/Off:

Touch the [TI] on the source control screen to turn the function on and off.

When the function is on, the TI indicator is turned on.

When a traffic information station is being received, the TP indicator will turn on. When none is being received, the colour of TI indicator will change from black to pink.

When a traffic bulletin begins to be broadcast, the colour of TA indicator will change from pink to black and reception will begin at the preset volume.

If you are listening to a disc when a traffic bulletin begins, they will automatically be turned off. When the bulletin ends or poor reception is experienced, the disc will begin playing again.

Switching to a Different Traffic Information Station:

Use the [◀◀] or [▶▶] to make an auto seek of the TI stations in a certain band.

NOTE

- When you are listening to a cassette tape or disc, you cannot change to another TI station.
- When the auto TP seek function is turned on and reception starts to weaken, the tuner automatically seeks stations with better reception.
- If you are tuned to a station that is not a traffic information station itself but which provides EON services, you can still have traffic information received.

Ending RDS Setting Screen:

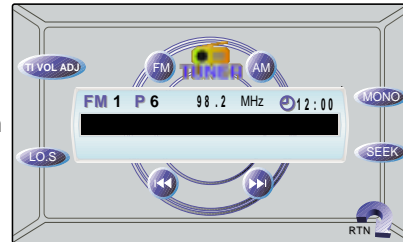
Touch the [RTN] to return the menu screen.

RDS Function

Presetting Volume for Traffic Information/News

Preset the volume level to be used when traffic information starts to be broadcast.

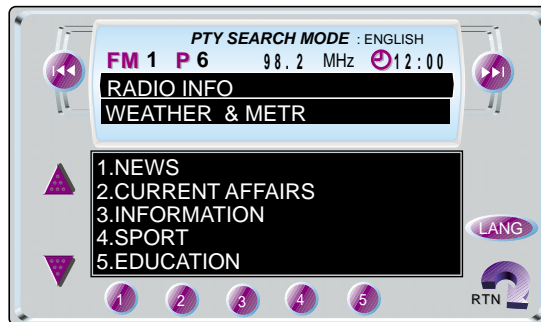
- 1 Touch the [FNC] on the control screen (B) to switch the function control screen.
- 2 Tune into the station for which you want to set the volume.
- 3 Adjust the volume to the desired level.
- 4 Touch the [TI VOL ADJ] for two seconds or more.



The volume level that the data has been stored.
Future traffic information broadcasts are heard at the preset level.

NOTE

- The volume cannot be lowered by this function during tuner reception. The volume is only set when it is louder than the listening volume of the tuner.
- You can arrange only to listen to traffic information bulletins with at preset volume with the volume set at minimum.



Programme Type (PTY) Function

Conduct auto seek tuning only on those stations with selected kinds of programmes.

Switching Programme Search Screen:

Touch the [PTY] on the source control screen (B).

NOTE

You cannot use this function whilst the traffic information function is turned on.

Changing the Display Language to French or German:

In the PTY mode, touch the [LANG] to display the name of the language currently used.

Select the Type of Programme to be Received:

- 1 Touch either the [▼] or [▲] repeatedly to select the type of programme lists you want to listen to.

Programme Type Display

News	S
Current Affairs	S
Information	S
Sport	S
Education	S
Drama	S
Cultures	S
Science	S
Varied Speech	S
Pop Music	M
Rock Music	M
M.O.R Music	M
Light Classics Music	M
Serious Classics	M
Other Music	M
Weather & Metr	S
Finance	S
Children's Progs	S
Social Affairs	S
Religion	S

Phone In	S
Travel & Touring	S
Leisure & Hobby	S
Jazz Music	M
Country Music	M
National Music	M
Oldies Music	M
Folk Music	M
Documentary	S
All Music	
All Speech	

(S: Speech, M: Music)

2 Touch [①] - [⑤] to select the type of programme.

Select the Type of Seeking the Selected Programme Type:

Touch the [◀◀] or [▶▶] to make a seek of frequencies with your selected type of programme.

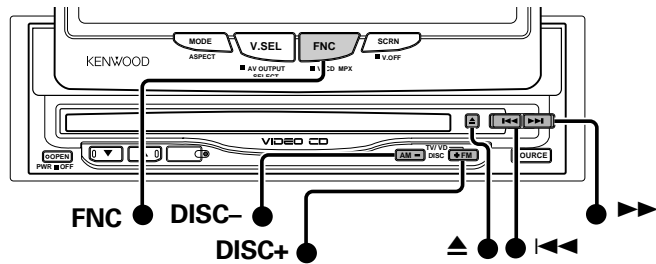
If your selected type of programme is found, the name of the station is displayed and the station is tuned into.

Cancelling PTY Search Screen:

Touch the [RTN] to return the source control screen (B).

CD Control Function

CD operations with the buttons



Inserting CDs

Holding the CD with the labeled side facing up, insert it in the CD slot. The CD will start playing.

CAUTION

- When inserting a CD, be careful that the CD does not touch the bottom of the monitor or the mechanism. If it does, it may be scratched.
- Do not attempt to insert a CD into the slot if another one is already there.
- The unit can only play 12-cm (5-inch) CDs. If you insert an 8-cm (3-inch) CD, it will get stuck inside and can cause the unit to malfunction.

Track Search

Making a Forward Track Search:

Press the ►► button to display the desired track number. Press once to fast forward to the next track, twice to fast forward to the track after that, and so forth. Play starts at the beginning of the displayed track number.

Making a Reverse Track Search:

Press the ◀◀ button to display the desired track number. Press once to search back to the beginning of the current track, twice to search back to the beginning of the previous track, and so forth. Play starts at the beginning of the displayed track number.

Fast Forwarding and Reversing Disc Play

Fast Forwarding Disc Play:

Hold down on the ►► button.
Release your finger to play the disc at that point.

Reversing Disc Play:

Hold down on the ◀◀ button.
Release your finger to play the disc at the point.

NOTE

When you use the fast-forward/fast-rewind on a video CD, be sure to stop the fast-forward/fast-rewind before you start the video and audio playback.

Eject

Press the ▲ button located near the CD slot.
The CD stops playing and ejects from the CD slot.

NOTE

When you load a CD and eject it right away, the next time you try to insert the CD may not load. In such a situation, take the CD out for a moment and then reinsert it.

Switching Multiple Audio Mode

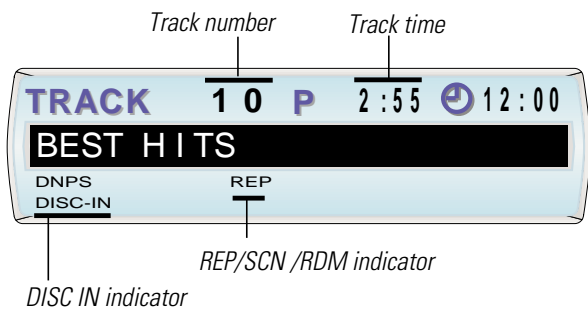
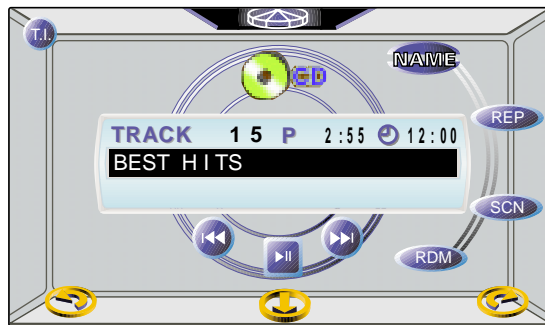
The audio output mode switches in the following order when the included FNC button is for over 2 second pressed while playing CDs:

► L + R ► L + L ► R + R ◀

NOTE

When you change the disc, the setting will return to the default value "L+R."

CD operations with the control screens



Pausing and Restarting CD Play

Touch the [▶||] to make the disc pause.
Touch the [▶||] again to start play again.

Track Search

Search forwards or backwards through the tracks on the disc until you reach the one that you want to listen to.

Making a Forward Track Search:

Touch the [▶▶] to display the desired track number.
Touch once to fast forward to the next track, twice to fast forward to the track after that, and so forth.
Play starts at the beginning of the displayed track number.

Making a Reverse Track Search:

Touch the [◀◀] to display the desired track number.
Touch once to search back to the beginning of the current track, twice to search back to the beginning of the previous track, and so forth.
Play starts at the beginning of the displayed track number.

NOTE

With some video CD's, the track number may differ from the jacket display, or may differ from the track number display on the menu screen.

Fast Forwarding and Reversing Disc Play

Fast Forwarding Disc Play:

Hold down on the [▶▶].
Release your finger to play the disc at that point.

Fast Reversing Disc Play:

Hold down on the [◀◀].
Release your finger to play the disc at the point.

CD Control Function

Track Repeat Function

Repeat playing the current track.

Turning Repeat Play Function On/Off:

Touch the [REP] to switch the repeat play function on and off.

The REP indicator is displayed when the repeat play function is turned on.

NOTE

The repeat play function is cancelled when you stop playing the disc.

Track Scan Function

Successively play the beginning of each track on a disc until you find the track that you want to listen to.

Turning Track Scan Function On/Off:

Touch the [SCN] to switch the track scan function on and off.

The SCN indicator is displayed when the track scan function is turned on.

The first 10 seconds of each track are played, and the tracks are played in order.

Stopping to Listen to the Track Being Scanned:

Touch the [►||] or [SCN] again to stop the scan and keep on listening to a track normally.

NOTE

- The track scan function is cancelled when you stop playing a disc.
- The track scan function only scans each track on a disc once.

Random Play Function

Play all the tracks on the current disc in random order.

- 1 Touch the [RDM] to switch the random play function on and off. The RDM indicator is displayed when the random play function is turned on. The display of the track number changes continuously as the next track is being selected. When the track has been selected, play starts.
- 2 To change the track being heard, touch the [►►]. Another track is selected and played.

NOTE

The random play function is cancelled when you stop playing a disc.

Switching Name Set Screen

Touch the [NAME] for at least two seconds to switch the name set screen. < see p.30 >

NOTE

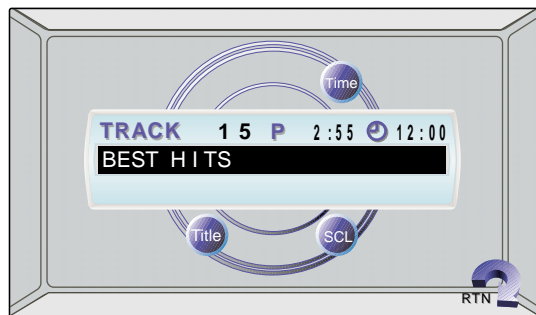
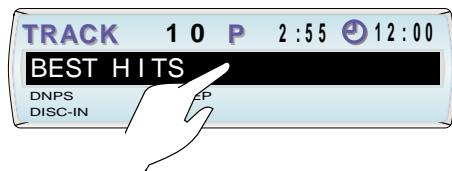
The Name Set function does not operate with video CD's.

Display Select Screen

Switch the display that appears whilst discs are playing.

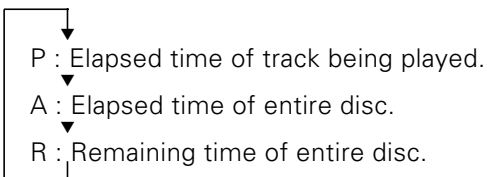
Switching Display Select Screen:

Touch this area on the source control screen to switch the selecting display screen.



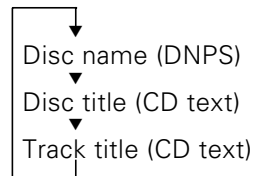
Selecting Time Display for Discs:

Each time you touch the [Time], the display during disc play switches as follows.



Selecting Name or Title Display for Discs:

Each time you touch the [Title], the display during disc play switches as follows.



NOTE

- You can give names to discs through the presetting disc name function.
- If you try to display the name of a disc that does not have one, "No Name" is displayed instead.
- If you try to display the title of a disc that does not have one, "No Text" is displayed instead.

To Scroll Manually:

Touch the [SCL] to display the disc title or the track title. The titles will be displayed in one scrolling display.

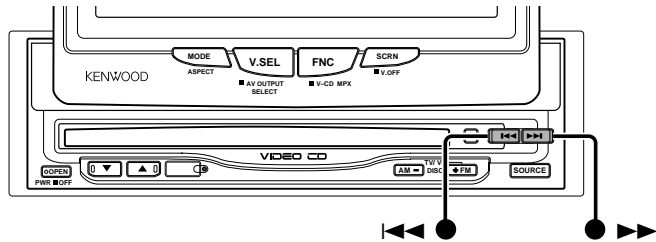
- When the system setting screen's scroll setting is set to "ON", touch [SCL] on the scroll table to stop scrolling. Touch [SCL] again to resume scrolling.
- When touched while the system setting screen's scroll setting is set to "OFF", the entire text is scrolled once.

Cancelling Display Select Screen:

Touch the [RTN] to return the source control screen .

Tape Player Control Function

Tape player operations with the buttons



Direct Program Search System (DPSS)

Skipping to Beginning of Current Track or to Previous Tracks (Rewind DPSS):

Press the ◀◀ button.

Press once to rewind to the beginning of the current track, twice to rewind to the beginning of the previous track, and so forth.

You can skip up to nine tracks.

Playback is continued after the tape is rewound by the indicated number of tracks.

Skipping to Later Tracks (Fast Forward DPSS):

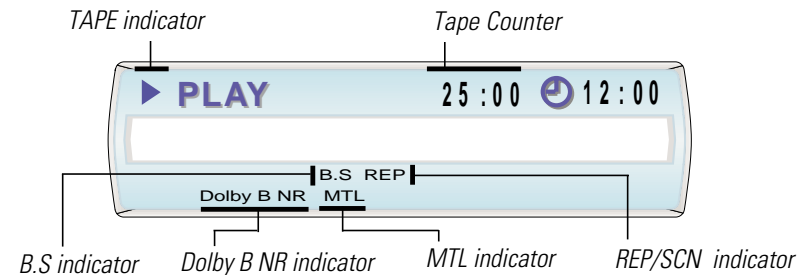
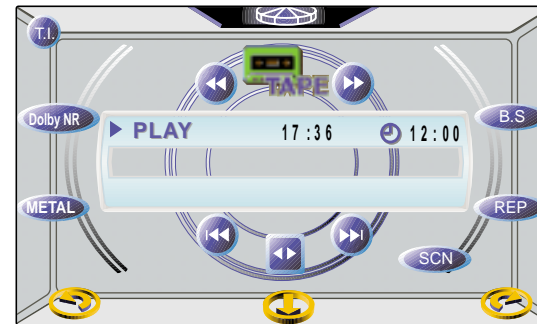
Press the ▶▶ button.

Press once to fast forward to the next track, twice to fast forward to the track after that, and so forth.

You can skip up to nine tracks.

Playback is continued after the tape is fast forwarded by the indicated number of tracks.

Tape player operations with the control screens



Playing Cassette Tapes

Loading and Playing Cassettes:

Load a cassette with the tape exposed on the right.

The tape starts playing automatically.

With side A facing up, the ▶ indicator (TAPE indicator) lights up when side A is playing, and ◀ when side B is playing.

Playing Cassettes Already Loaded:

Touch the [◀ ▶] to start play.

Direct Program Search System (DPSS)

Skip forward or backward to other tracks during playback.

Skipping to Beginning of Current Track or to Previous Tracks (Rewind DPSS):

Touch the [I◀◀].

Touch once to rewind to the beginning of the current track, twice to rewind to the beginning of the previous track, and so forth.

You can skip up to nine tracks.

Playback is continued after the tape is rewound by the indicated number of tracks.

Skipping to Later Tracks (Fast Forward DPSS):

Touch the [▶▶].

Touch once to fast forward to the next track, twice to fast forward to the track after that, and so forth.

You can skip up to nine tracks.

Playback is continued after the tape is fast forwarded by the indicated number of tracks.

NOTE

- During the first three seconds of each track, the previous track is considered the "current" track. If you press the I◀◀ button during that period, the tape rewinds to the beginning of the previous track and not the one you are listening to.
- The DPSS function "knows" where a track begins by detecting the blank space preceding it (the space between tracks). However, when the blank space lasts for less than four seconds or contains noise, DPSS may not operate correctly. Furthermore, quiet intervals within a song are detected as "blank spaces" if they last for four seconds or more.

Fast Forwarding and Rewinding Cassette Tapes

Fast Forwarding Tapes:

Touch the [FM+].

The tape is being fast forwarded.

If the [◀▶] is touched, normal tape will begin.

Rewinding Tapes:

Touch the [AM+].

The tape is being rewound.

If the [◀▶] is touched, normal tape play will begin.

Dolby B Noise Reduction

Listen to tapes recorded using Dolby B NR.

Turning Dolby B Noise Reduction On/Off:

Touch the [Dolby NR] to switch Dolby B NR on and off.

The Dolby B NR indicator lights up when it is turned on.

Switching Tape Types

Select type of tape being played.

Switching Tape Types:

Touch the [MTL] (Metal) to switch the metal tape indicator on and off and to select the tape type.

Turn the MTL indicator off for normal tape (Type I) playback.

Turn the MTL indicator on for the following tape types:

CrO2 (Type II) FeCr (Type III) Metal (Type IV)

Selecting the wrong tape type may cause sound quality to suffer.

Blank Skip

Automatically fast forward to the beginning of the next track when long blank spaces (10 seconds or more) are detected, continuing tape playback. This function is on, when unit is first powered on.

Turning Blank Skip On/Off:

Touch the [B.S] to switch blank skip on and off.

NOTE

- If the blank space contains a lot of noise, blank skip may not work right.
- Sections that are recorded at low levels may trigger blank skip if they last for 10 seconds or more.

Tape Player Control Function

Music Repeat

Repeatedly plays the track currently being listened to.

Turning Music Repeat On/Off:

Touch the [REP] to switch music repeat on/off.

Canceling Music Repeat:

Touch either the [REP] or [◀ ▶].

NOTE

Music repeat "knows" where a track begins by detecting the blank space preceding it (the space between tracks). However, when the blank space lasts for less than four seconds or contains noise, this function may not operate correctly. Furthermore, sections that are recorded at low levels may trigger the function if they last for four seconds or more.

Index Scan Function

Successively plays the first few seconds of each track on the tape.

Turning Index Scan Function On/Off:

Touch the [SCN] to switch the index scan function on and off.

The SCN indicator lights up when the index scan function is turned on.

Stopping to Listen to the Track Being Scanned:

Touch either the [SCN] or [▶ ▶].

Playback begins as usual.

NOTE

- The index scan function is cancelled when the tape stops.
- The index scan function "knows" where a track begins by detecting the blank space preceding it (i.e., the space between tracks). However, when the blank space lasts for less than 4 seconds or contains noise, this function may not operate correctly. Furthermore, sections recorded at low levels may trigger the function if they last for 4 seconds or more.

Name Preset Function



Station Name Preset (SNPS) / Disc Name Preset (DNPS)

- 1 If the cursor is in the desired character input position, go on to step 4. If not, touch either the [◀] or [▶] to move the cursor to the desired position.
The [◀] moves the cursor to the left and the [▶] moves it to the right.
- 2 Touch the [▼] or [▲] to switch the character lists.
- 3 Touch the character.
- 4 Continue steps 1 and 3 until all the characters are chosen for the name.

NOTE

- You can enter up to 16 characters for each name.
- To enter a space, touch [SPACE]. A blank is inserted and the cursor moves to the right.

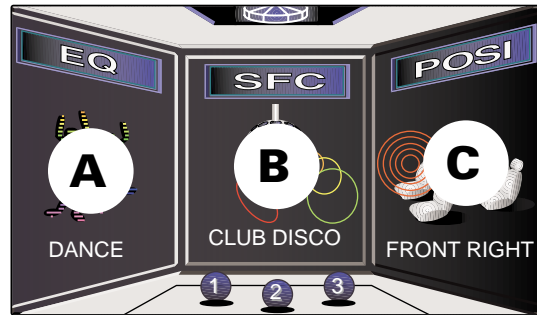
- 5 Touch the [OK] to finish name entry and leave name preset mode.

NOTE

- If you want to change the name of a station, first display the name of the station (following steps 1 and 2 above), then change the letter(s) that you want by following steps 3 and 4.
- You can assign names to up to 30 TV stations.
- All the station names will be erased if you press the RESET button.
- You can only store names for up to 100 CDs. If you store the name for an 101th CD, the first one will be erased automatically.
- CDs are identified by their total length and number of tracks. If you play another CD that happens to have exactly the same specifications as another CD whose name is stored, the wrong name will be displayed for it.

DSP Control Function

DSP Control Screen



Selecting Preset Equalizer Mode:

Each time touch the area A to switch the equalizer mode.

Selecting Preset Sound Field Control Modes:

Each time touch the area B to switch the SFC mode.

Setting the DSP for Various Listening Positions:

Each time touch the area C to switch the position mode.

Switching the Equalizer Control Screen:

Touch the [EQ] to switch the equalizer control screen.

Switching the SFC Screen:

Touch the [SFC] to switch the SFC screen.

Switching the Position Control Screen:

Touch the [POSI] to switch the position control screen.

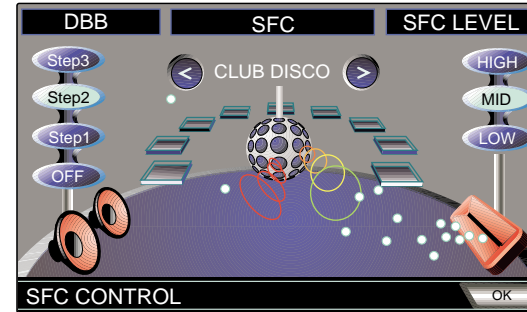
Setting Original DSP Setting in Memory:

- Setting DSP settings in memory
Make the DSP settings (SFC mode, SFC level, DSP bass boost level, equalizer curve, listening position and room size) you wish to set in memory in DSP control mode, and touch the [1], [2] or [3] for more than two seconds.
Current DSP settings will be stored in the memory of the button pressed, and the button No. will be displayed.
- Calling up DSP settings
Touching the [1], [2] or [3] will cause the unit to switch to the DSP settings stored in user memory.

Switching Menu Screen:

: Touch this character to switch the menu screen.

Sound Field Control (SFC) Screen



Selecting Preset SFC Modes:

Each time touch the [<] or [>] to switch the SFC mode.

DSP Bass Boost Adjustment:

When Sound Field Control is turned on, the sound from the rear will emphasize on effects making its level insufficient for bass sounds. The DSP bass boost feature adds the original bass sound to the effect for correction.

Touch the [Step1], [Step2] and [Step3], the DSP bass boost can be adjusted as follows.

[Step3] : Broadens the bass added.

[Step2] : ▼

[Step1] : Narrows the bass added.

[OFF] : No bass boost.

NOTE

This adjustment cannot be made when the SFC mode is set to "BYPASS".

SFC Level Adjustment:

Touch the [HIGH], [MID] and [LOW] the SFC level can be adjusted as follows.

[HIGH] : Maximizes the DSP sound effect.

[MID] : ▼

[LOW] : Minimizes the DSP sound effect.

NOTE

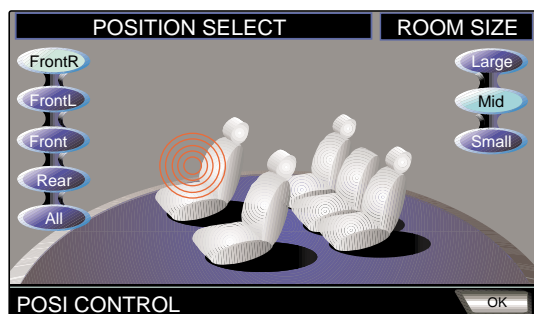
This adjustment cannot be made when the SFC mode is set to "BYPASS".

Ending SFC Control Screen:

Touch the [OK] to return the DSP control screen.

DSP Control Function

Position Control Screen



Position Select:

Touch the [FrontR], [FrontL], [Front], [Rear] and [All], the listening position will be switched in the following order.

[FrontR] : Centered on the front right seat.

[FrontL] : Centered on the front left seat.

[Front] : Centered on the front seat.

[Rear] : Centered on the rear seat.

[All] : Center of the passenger cabin.

Room Size Adjustment:

Touch the [Large], [Mid] and [Small], the room size can be adjusted as follows.

[Large] : For large vans or RVs where front and rear speakers are far apart from each other.

[Mid] : For sedans.

[Small] : For compact cars where front and rear speakers are close to each other.

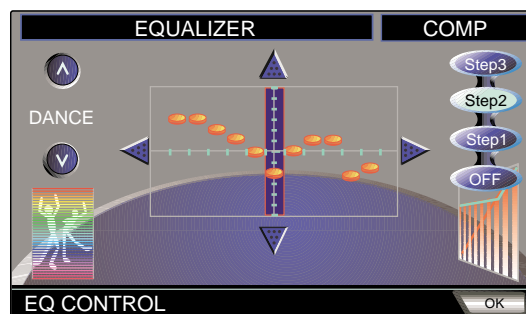
NOTE

Room size cannot be adjusted when position select mode is set to " All " and SFC select mode is set to " BYPASS " .

Ending Position Control Screen:

Touch the [OK] to return the DSP control screen.

Equalizer Control Screen



Selecting the Equalizer Mode:

Each time touch the [M] or [?] to switch the equalizer mode.

Equalizer Adjustment:

Each time touch the [◀] or [▶], the selectable frequency band changes

Each time touch the [▲] or [▼], the equalizer level for the selected band will increase or decrease.

NOTE

When adjusting the equalizer level, do not adjust solely a single band. Adjust each band to form a curve.

Compression Adjustment:

This feature raises the level of low sounds so they are not covered over by road noise when listening to music with broad dynamic range such as classical music, so that even these low sounds can be heard without having to adjust the volume.

Touch the [Step1], [Step2] and [Step3], the DSP bass boost can be adjusted as follows.

[Step3] : High compression ratio.

[Step2] : Middle compression ratio.

[Step1] : Low compression ratio.

[OFF] : No compression of the dynamic range.

Ending Equalizer Control Screen:

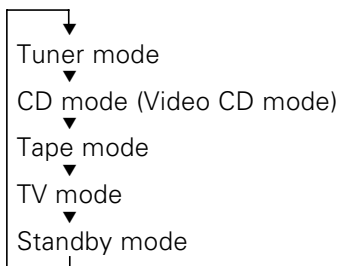
Touch the [OK] to return the DSP control screen.

Remote Control Function

Basic Source Control Function

- **SRC button**

Each time you press the SRC button, the source mode switches as follows:

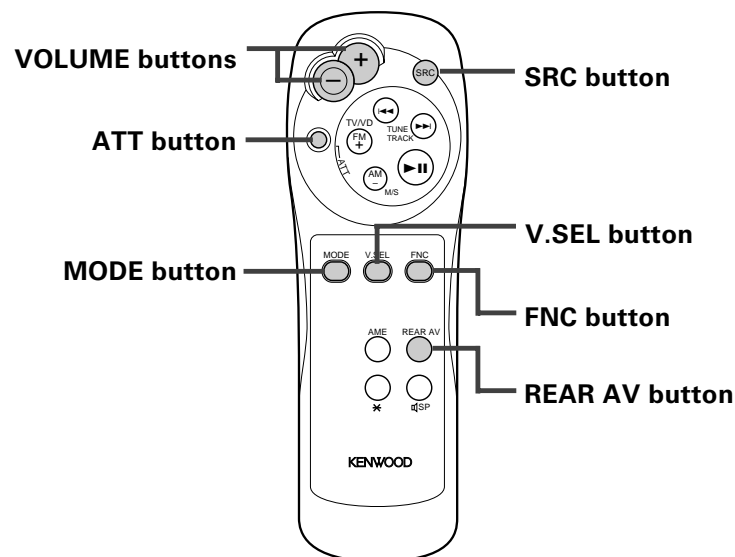


NOTE

- The mode switches to the next mode from any mode which cannot be used.
- The tuner mode, disc changer mode and navigation mode will differ depending on the unit that is connected.
- **VOLUME buttons**
Press the ⊕ button to increase the volume.
Press the ⊖ button to decrease the volume.
- **ATT button**
Turn down the volume quickly. To return the volume to its original level, press the button again.

Visual Function

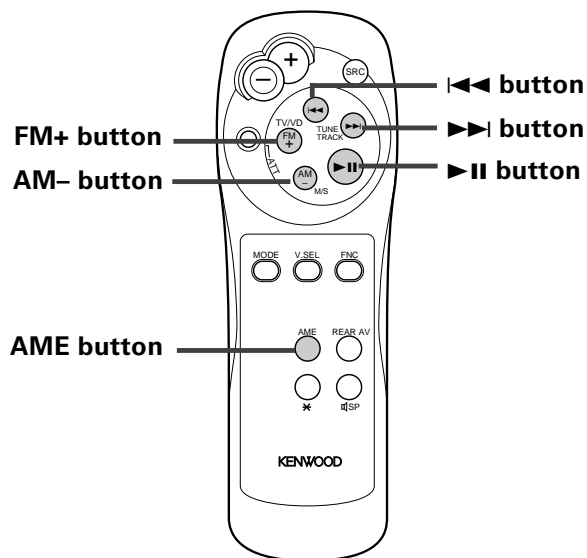
- **V.SEL button**
Each time the V.SEL button is pressed, the image video will switch between the navigation and video.
- **MODE button**
Each time the MODE button is pressed, the screen mode switches between the normal, full, just, and zoom.
- **FNC button**
Press the FNC button to switch the source control screen. Each time the FNC button is pressed, the back picture in the source control screen changes.
- **REAR AV button**
Each time the REAR AV button is pressed, the AV output mode switches between the normal video 1 and video 2.



Remote Control Function

TV Function

- **▶II button**
Each time you press the ▶II button, the tuning mode switches to auto 1, to auto 2 and manual.
- **TUNE buttons**
Press the ◀◀ button to make decreasing seeks (using the preset tuning mode).
Press the ▶▶ button to make increasing seeks (using the preset tuning mode).
- **FM+ button**
Switch between the TV1, TV2, video1 and video2.
- **AME button**
 - 1 Select the band for auto memory entry.
 - 2 Press the AME button.
 - 3 Press the ▶▶ button or ◀◀ button to start auto memory entry.



Tuner Control Function

- **▶II button**
Each time you press the ▶II button, the tuning mode switches to auto 1, to auto 2 and manual.
- **◀◀ / ▶▶ buttons**
Press the ◀◀ button to make decreasing seeks (using the preset tuning mode).
Press the ▶▶ button to make increasing seeks (using the preset tuning mode).
- **FM+ button**
Select and switch between the FM1, FM2 and FM3 bands.
- **AM- button**
Select the AM band.

Tape Control Function

- **▶II buttons**
Press the ▶II button to make the disc pause.
Press the ▶II button to start play again.
- **◀◀ / ▶▶ buttons**
Press the ◀◀ button to search through the tracks backwards.
Press the ▶▶ button to search through the tracks forwards.
- **FM+ / AM- buttons**
Press the AM- button to search through the discs backwards.
Press the FM+ button to search through the discs forwards.

CD Control Function

- **▶II buttons**
Press the ▶II button to make the disc pause.
Press the ▶II button to start play again.
- **◀◀ / ▶▶ buttons**
Press the ◀◀ button to search through the tracks backwards.
Press the ▶▶ button to search through the tracks forwards.

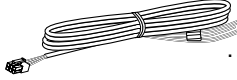

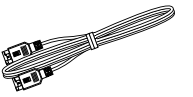
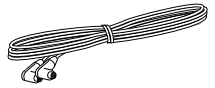
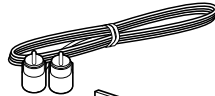


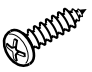




NOTE

The "SP" and "*" button cannot be used.

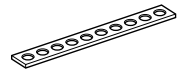
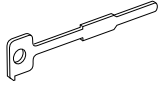
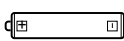
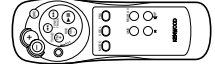

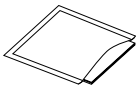


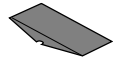
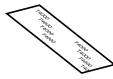

Installation

Accessories

External view
..... Number of items

- ① 1
- ② 1
- ③ 1
- ④ 1
- ⑤ 1
- ⑥ 4
- ⑦ 8
- ⑧ 8
- ⑨ 4
- ⑩ 4
- ⑪ 4
- ⑫ 1

External view
..... Number of items

- ⑬ 1
- ⑭ 2
- ⑮ 2
- ⑯ 1
- ⑰ 2
- ⑱ 1
- ⑲ 4
- ⑳ 6
- ㉑ 2
- ㉒ 2
- ㉓ 2

CAUTION

The use of any accessories except for those provided might result in damage to the unit. Make sure only to use the accessories shipped with the unit, as shown above.

Installation Procedure

1. To prevent short circuits, remove the key from the ignition and disconnect the ⊖ terminal of the battery.
2. Make the proper input and output cable connections for each unit.
3. Connect the wiring harness cables in the following order: ground, battery, ignition.
4. Connect the wiring harness connector to the unit.
5. Install the unit in your car.
6. Reconnect the ⊖ terminal of the battery.
7. Press the reset button.(See p.4)

CAUTION

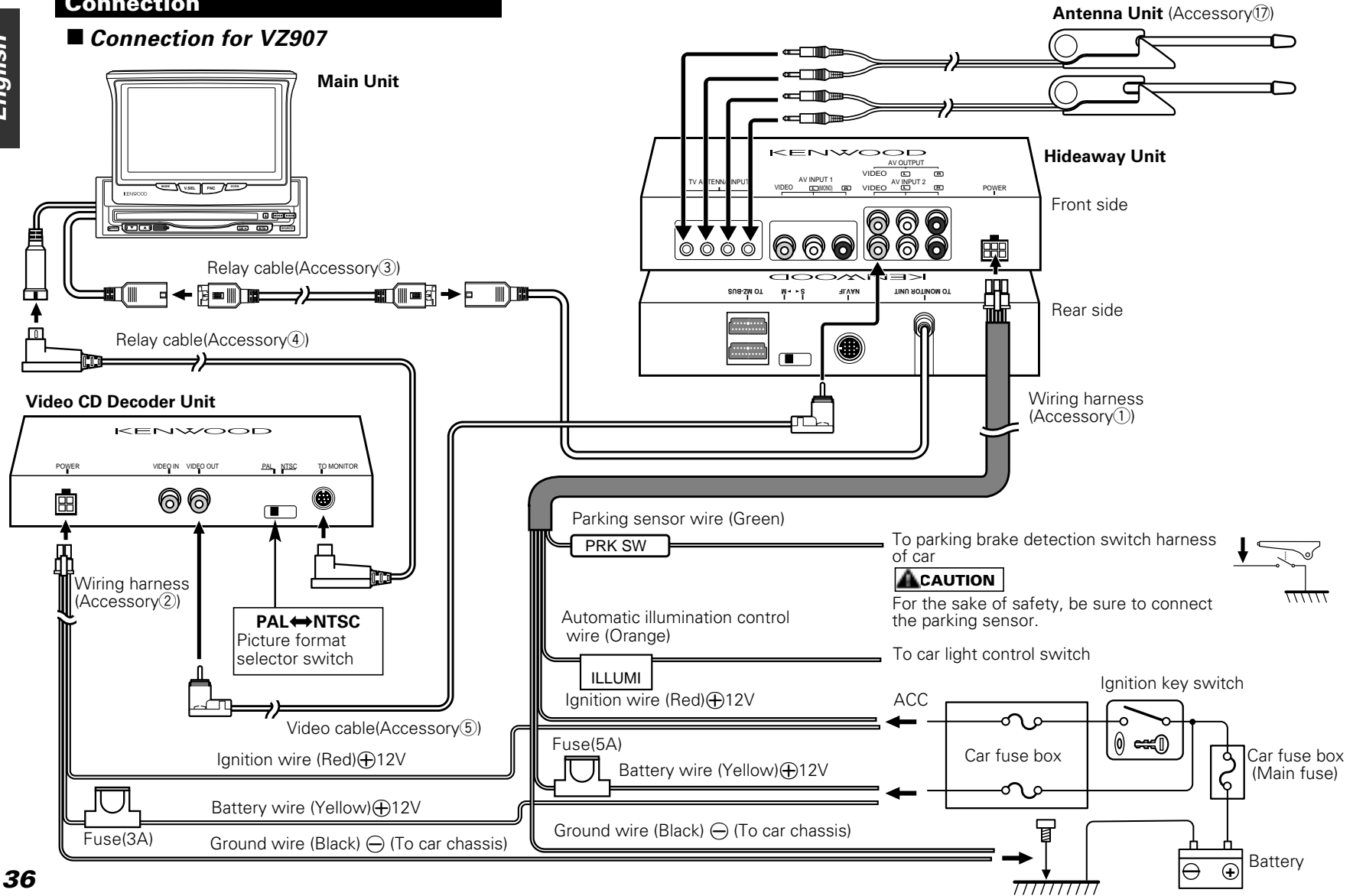
- If your car's ignition does not come with an ACC position, connect the ignition cables to a power source that can be turned on and off with the ignition key. If you connect the ignition cable to a power source that receives a constant voltage supply, as with battery cables, the battery may die.
- If the fuse blows, first make sure that the cables have not caused a short circuit, then replace the old fuse with one with the same rating.
- Do not let unconnected cables or terminals touch metal on the car or anything else conducting electricity. To prevent short circuits do not remove the caps from unused terminals or from the ends of the unconnected cables.
- After the unit is installed, check whether the brake lamps, blinkers, wipers, etc. on the car are working properly.
- Insulate unconnected wires with vinyl tape or other similar material.
- Thoroughly wipe away oil and other dirt from the installation surface.
Please avoid installation on uneven surfaces.
- Mount the unit so that the mounting angle is 30° or less.

Installation

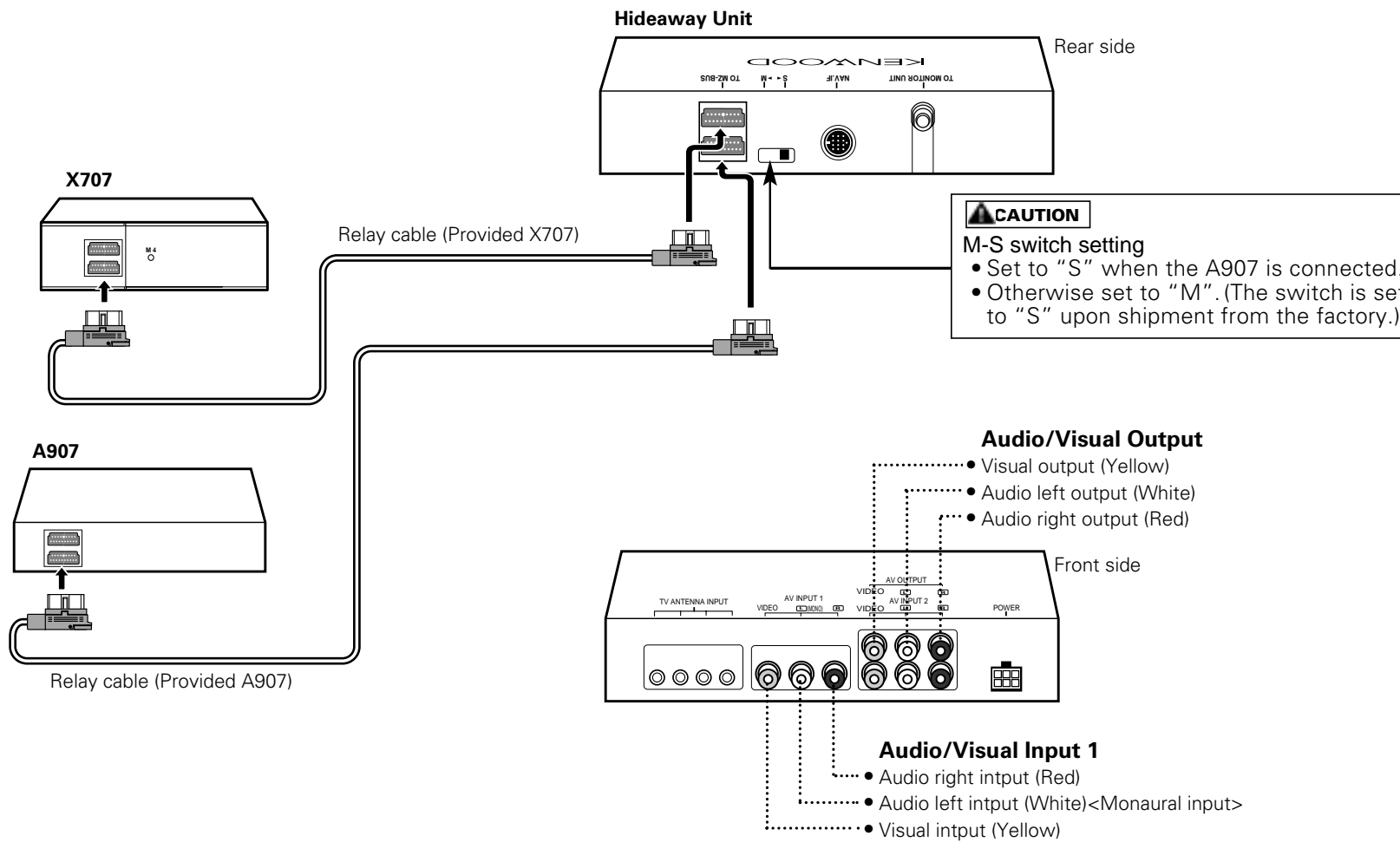
Connection

■ Connection for VZ907

English



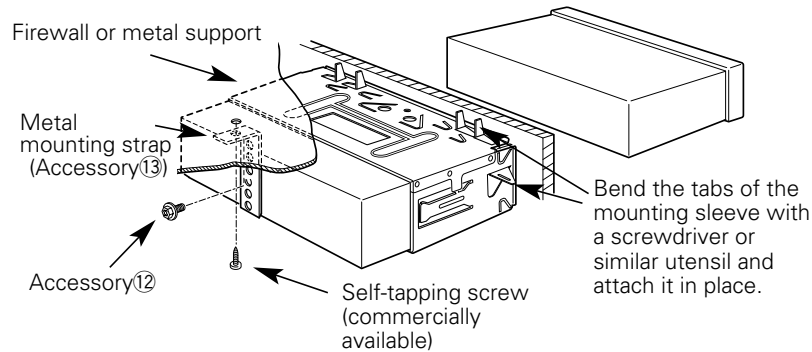
■ **Connection to Other Units**



Installation

Installation

■ Installation for Main Unit

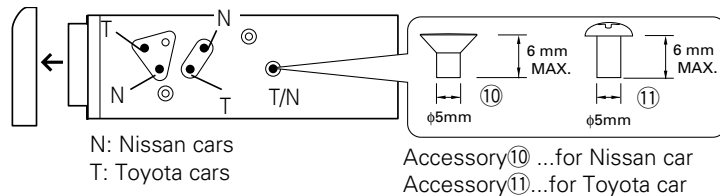


NOTE

Make sure that the unit is installed securely in place. If the unit is unstable, it may malfunction (for example, the sound may skip).

■ Installing in Japanese-Made Cars

- 1 Refer to the section "Removing the hard rubber frame (P.41)" and then remove the hard rubber frame.
- 2 Align the holes in the unit (two locations on each side) with the vehicle mounting bracket and secure the unit with the accessory screws.



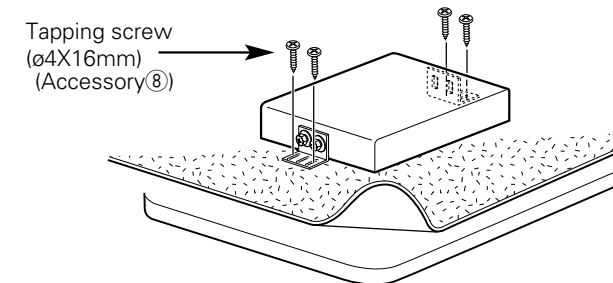
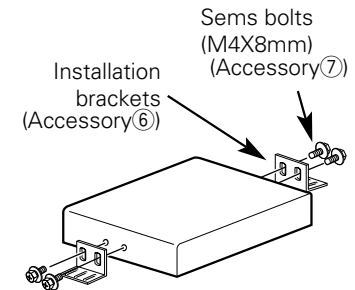
CAUTION

- During installation, do not use any screws except for those provided. The use of different screws might result in damage to the main unit.
- Damage may occur if a screwdriver or similar tool is used with excessive force during the installations.

■ Installation for Hideaway Unit and Video CD Decoder Unit

● Securing to audio board

- 1 Attach the installation brackets to the sides of the hideaway unit using the sems bolts (M4X8mm).
- 2 Use the tapping screw (ø4X16mm) to secure the hideaway unit to the audio board.

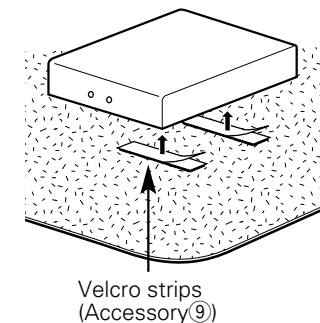


● Securing to pile carpet

Peel the protective strips off of the velcro strips, attach them to the bottom of the hideaway unit, and secure to the pile carpet.

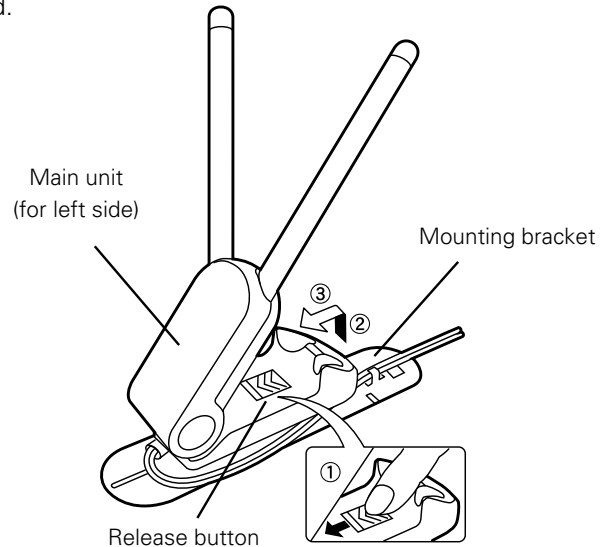
CAUTION

Please do not install the unit near the dashboard, the rear tray, or other important components. Doing so could lead to injury or accident should the unit come off due to a shock and strike a person or an important component. Tapping screws should be used for mounting. (Attachment with velcro strips, although easy, can come off with a shock.)



Installation for Antenna Unit

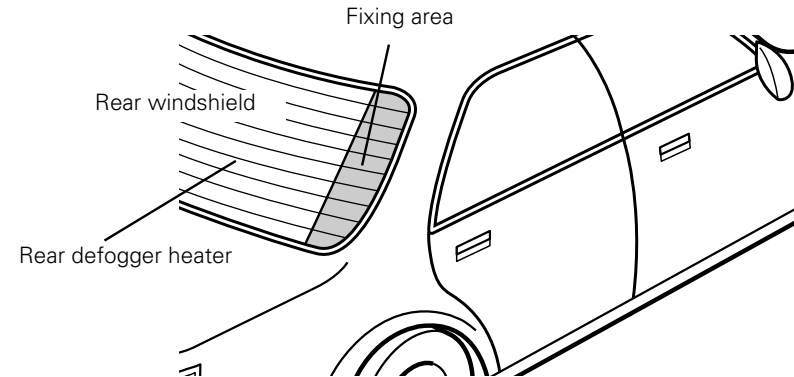
1. Mount the antenna main unit to the mounting bracket and check the locations where the antenna are to be fixed. Open the antenna and extended to full length. Adjust tilting and flip-up angles to confirm the actual use condition.
2. Remove the main unit from the mounting bracket. To remove, slide the release button to release the lock and lift the rear end of the main unit up as shown in the figure and slide the main unit forward.



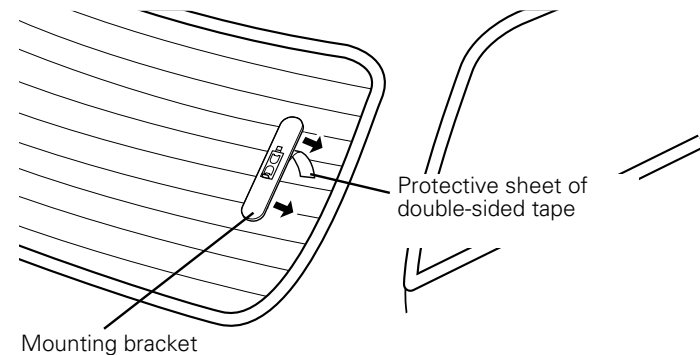
3. Clean off any grease or dirt from the fixing area for mounting bracket and cable holder, using supplied cleaning cloth(Accessory¹⁸).

CAUTION

Clean the window glass thoroughly, as failure to clean the glass can not only weaken the adhesive strength of the double-sided tape, but also cause it to come loose.



4. Remove the protective sheet from the double-sided tape on the mounting bracket and press firmly on to the rear windshield to fix. When fixing to the body etc, use supplied protective tape (Accessory²³) for protecting the body paint, if necessary.

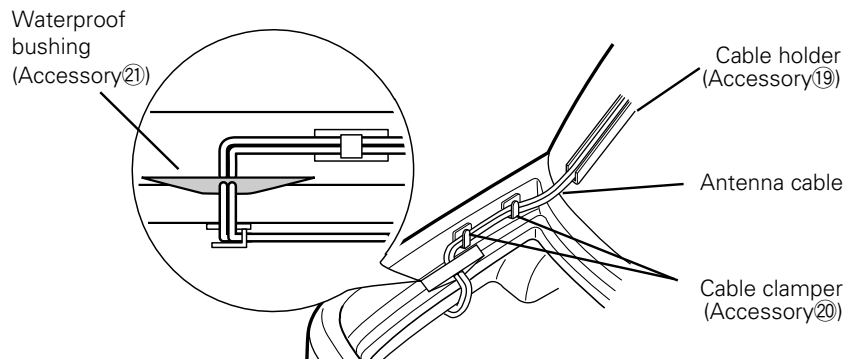


CAUTION

Warm up the rear windshield by rear defogger heater, if the surface temperature of the rear windshield is low. Fixing parts with the double-sided tape should be done indoor, on the day of high humidity such as on a rainy day even if the surface to be fixed is not wet. Low surface temperature and high humidity may not only weaken the adhesive strength of the double-sided tape, but also cause it to come loose.

Installation

5. After fixing parts with double-sided tape, allow it to sit undisturbed for at least 24 hours. Make sure that no force is applied nor they get wet during this time.
6. Install the antenna (L&R) by following the steps backward described in 2.. Make sure that L and R are installed at the correct side. (Refer to the figure in 2.)
7. Cut the cable holder to the length from the edge of the mounting bracket to the position where the cable is lead in. Remove the protective sheet from the double-sided tape on the cable holder and press firmly on to the rear windshield to fix.
8. Push the antenna cable into the cable holder. Make sure the cable is not twisted.
9. Route the antenna cable at the side of the gutter of the trunk and fix few points with the cable clamber. Waterproof bushing should be fixed on top of the rim rubber of the trunk with the supplied double-sided tape(Accessory22) as shown in the diagram.



CAUTION

Clean the place to fix cable clamber thoroughly, as failure to clean the gutter side wall can not only weaken the adhesive strength of the double-sided tape, but also cause it to come loose.

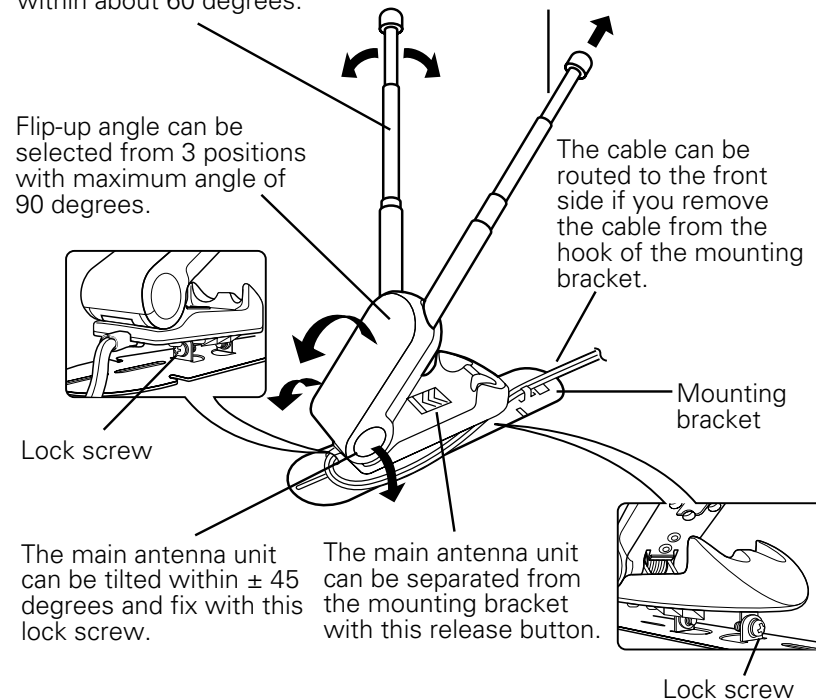
10. Route the antenna cable inside the passenger compartment to the TV tuner and the diversity unit.

CAUTION

- Do not turn on the power of the TV while you are listening to the radio, especially if the antenna of the radio is printed on the rear windshield or side windows. There may be interference in the AM/FM broadcasts of the car stereo.
- Do not use alcohol, benzene, thinner, gasoline or similar volatile chemical to clean the antenna itself nor cable. They may damage the product such as transformation, discoloration etc.
- Remove the antenna from the mounting bracket and keep it inside the trunk room etc, in such cases like using automatic car washing machines and when leaving your car for a long time etc.

The length of the rod antenna can be shortened when retracted as it has 8 elements. Use the antenna at full extended length to obtain specified performance.

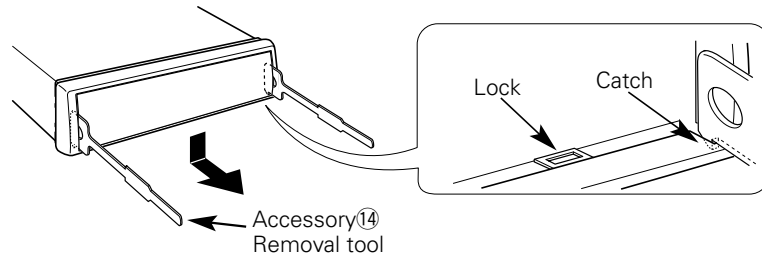
Swing angle of this rod antenna is adjustable within about 60 degrees.



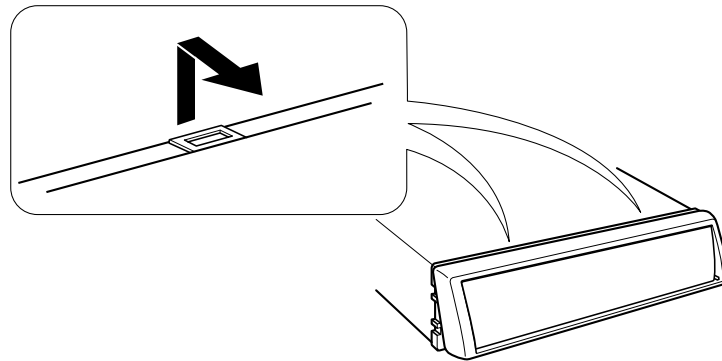
Removing Unit

■ Removing the Hard Rubber Frame

- 1 Engage the catch pins on the removal tool and remove the two locks on the lower level.
Lower the frame and pull it forward as shown in the figure.



- 2 When the lower level is removed, remove the upper two locations.

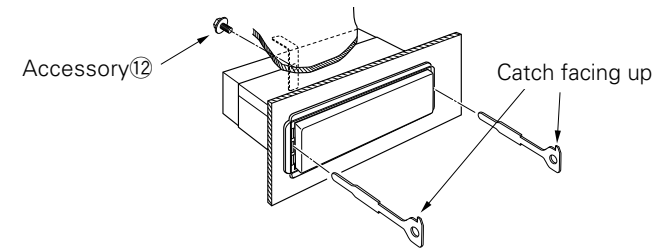


NOTE

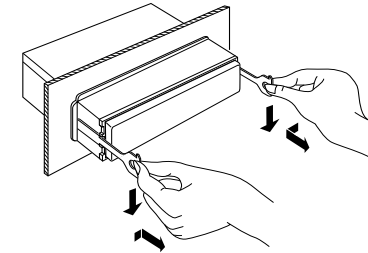
The frame can be removed from the top side in the same manner.

■ Removing the Unit

- 1 Refer to the section "Removing the Hard Rubber Frame" and then remove the hard rubber frame.
- 2 Remove the Hex-head screw with integral washer (M4x6) on the back panel.
- 3 Insert the two removal tools deeply into the slots on each side, as shown.



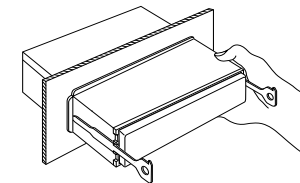
- 4 Lower the removal tool toward the bottom, and pull out the unit halfway whilst pressing towards the inside.



CAUTION

Be careful to avoid injury from the catch pins on the removal tool.

- 5 Pull the unit all the way out with your hands, being careful not to drop it.



Troubleshooting Guide

What might appear to be a malfunction in your unit may just be the result of slight misoperation or miswiring. Before calling service, first check the following table for possible problems.

PROBLEM	POSSIBLE CAUSE	SOLUTION
The power does not turn on.	The fuse has blown.	After checking for short circuits in the cables, replace the fuse with one having the same rating.
	No ACC position on vehicle ignition.	Connect the same cable to the ignition as the battery cable.
Nothing happens when the buttons are pressed.	The computer chip in the unit is not functioning normally.	Press the reset button on the unit (See p.4).
The monitor does not open.	The parking brake is not engaged.	For safety reasons, the monitor does not open while the vehicle is moving. Engaging the parking brake.
No TV/video image appears.	The unit is not connected to the parking brake detection switch.	Make proper connections according to "Connections" (See p. 36).
	The parking brake is not engaged.	For safety reasons no TV/video images are displayed while the vehicle is moving. Engaging the parking brake will cause images to be displayed.
The screen is dark.	The unit is in a location where temperature is low.	If the temperature of the monitor unit drops, the screen may appear darker when power is first turned on due to the characteristics of a liquid crystal panel. Wait a while after turning power on for the temperature to rise. Normal brightness will return.
A CD ejects as soon as it is loaded.	The CD is upside-down.	Load the CD with the labelled side up.
	The CD is quite dirty.	Clean the CD, referring to the section on "Cleaning CDs" (See p.5).
The sound skips on a CD.	The CD is scratched or dirty.	Clean the CD, referring to the section on "Cleaning CDs" (See p.5).
The specified track does not play.	Random play has been selected.	Turn off the random play function.

Specifications

Specifications subject to change without notice.

Main Unit

Picture size	5.8 inches wide 124.8(W) X 73(H) X 144.6 (diagonal) mm
Display system	Transparent TN LCD panel
Drive system	TFT active matrix system
Number of pixels	280.800 pixels (480 H X 234 V X RGB)
Effective pixels	99.99%
Pixel arrangement	RGB striped arrangement
Back lighting	Cold cathode tube

Hideaway Unit

Color system	NTSC or PAL
Television system	NTSCM PAL.....B/G,I,D
Receivable channels	NTSC: 2 to 12(VHF)/14 to 69(UHF) PAL(B/G):..... 2 to 12,1A to 12(VHF)/21to 69(UHF) PAL(I): 21to 69(UHF) PAL(D): 1 to 12(VHF)/13 to 57(UHF)
Channel selection systemPLL frequency synthesizer system
Demoduration systemSplit carrier system
Antenna input4-ch diversity (75 Ω /3.5 ϕ minijack)
External video input level (RCA jacks)1 Vp-p/75 Ω
External audio max. input level (RCA jacks)1 V/22 K Ω
Video output level (RCA jacks)1 Vp-p/75 Ω
Audio output level (RCA jacks)500 mV/1 K Ω

CD player section

Laser diodeGaAlAs ($\lambda=780$ nm)
Digital filter (D/A)8 Times Over Sampling
D/A Converter1 Bit
Spindle speed500 – 200 rpm (CLV)
Wow & FlutterBelow Measurable Limit
Frequency response (± 1 dB)5 Hz – 20 kHz
Total harmonic distortion (1 kHz)0,01 %
Signal to Noise ratio93 dB (1 kHz)
Dynamic range93 dB
Channel separation85 dB

General

Operating voltage14.4 V DC (11 to 16 V)
Consumed current1.5 A
Operational temperature range-10°C to +60°C
Storage temperature range-20°C to +85°C

Operating voltage14.4 V (11 – 16 V)
Current consumption1.5 A (1.0 A during normal operations)
Size	
Main unit180(W) \times 50(H) \times 182(D) mm
Hideaway unit213(W) \times 40(H) \times 148(D) mm
Installation size <Main unit>178(W) \times 50(H) \times 165(D) mm
Weight	
Main unit2.0 kg
Hideaway unit0.9 kg

Video Decoder Unit

Video CD formatVersion 1.1
Operating voltage14.4 V DC (11 to 16 V)
Consumed current0.2 A
Size188(W) \times 34.7(H) \times 145(D) mm
Weight630 g

TV Antenna

Output Impedance75 Ω /3.5 ϕ miniplug
Cable Length6 m
Size170.5(W) \times 34.7(H) \times 28(D) mm
Weight320 g (x2)

Although the effective pixels for the liquid crystal panel is given as 99.99% or more, 0.01% of pixels may not light or may light incorrectly.

KENWOOD